

QUALITY CHANGES THE WORLD

PRODUCT
SPECIFICATIONS



STC900T5

SANY TRUCK CRANE
90T LIFTING CAPACITY

90T汽车起重机



 90 t

 50 m

 77 m

www.sanyglobal.com

LEFT HAND DRIVE AVAILABLE
左舵可售

V1.1

SANY TRUCK CRANE STC900T5 / 90T LIFTING CAPACITY



U shape large cross section 50m boom with 14.3t load capacity at full length, fixed jib 17.5m, 9.5m extension optional, leading in industry.

大截面 U 型主臂, 全伸臂长 50m, 全伸臂最大吊重 14.3t ; 副臂长 17.5m, 可选 9.5m 延伸臂, 臂长及吊载能力行业领先。



Globally well-known brand oil pump and balance valve, the min. winch single rope speed < 1.5m/min, the min. stable slewing speed < 0.1°/s, easy to realize high precision mm-level operation. All new double pump intelligent flow distribution system shared by all T-series models lifts combined motion stability by over 50%. Flow confluence for faster telescoping, shunt for more stable luffing.

国际知名品牌油泵、平衡阀, 卷扬单绳最低速度小于 1.5m/min, 回转最低稳定小于 0.1°/s, 轻松实现毫米级吊装。
全新开发双泵智能流量分配系统, 变幅独立, 伸臂合流, 复合动作平稳性提升 50% 以上。



Remark :this illustration is crane with 20.7t counterweight for jobsite traveling.

备注 :此图为带 20.7t 配重工地转场状态。



Fixed CW 3.7t, three movable blocks 5t, 6t, 6t, additional 2.5t*2 for option. With CW base support available, the crane can travel with 20.7t CW on board at low speed in short distance. CW assembly & disassembly realized by one operator via remote control, efficiency increased, cost reduced.

固定配重 3.7t, 活动配重分别为 5t、6t、6t, 可另选配两块 2.5t 活动配重; 带配重支座, 可带 20.7t 配重短距离低速转场。
活动配重可单人遥控安装及拆卸, 提高拆装效率, 降低运营成本。



SANY TRUCK CRANE STC900T5 / 90T LIFTING CAPACITY



20° tiltable operator's cab
Full vision
Front & side footboards
Adjustable seat slide 150mm inclination 140°
10" LMI display screen

20° 可仰操纵室
全线无遮挡视野
前、侧脚踏板
可调座椅 前后移动 150mm 可仰 140°
10 英寸显示屏

Membrane switch buttons
7 vent A/C
Smartphone support
Cupholder
Rear storage shelf

薄膜开关按键
7 通道空调送风系统
手机支架
水杯支架
后置置物平台



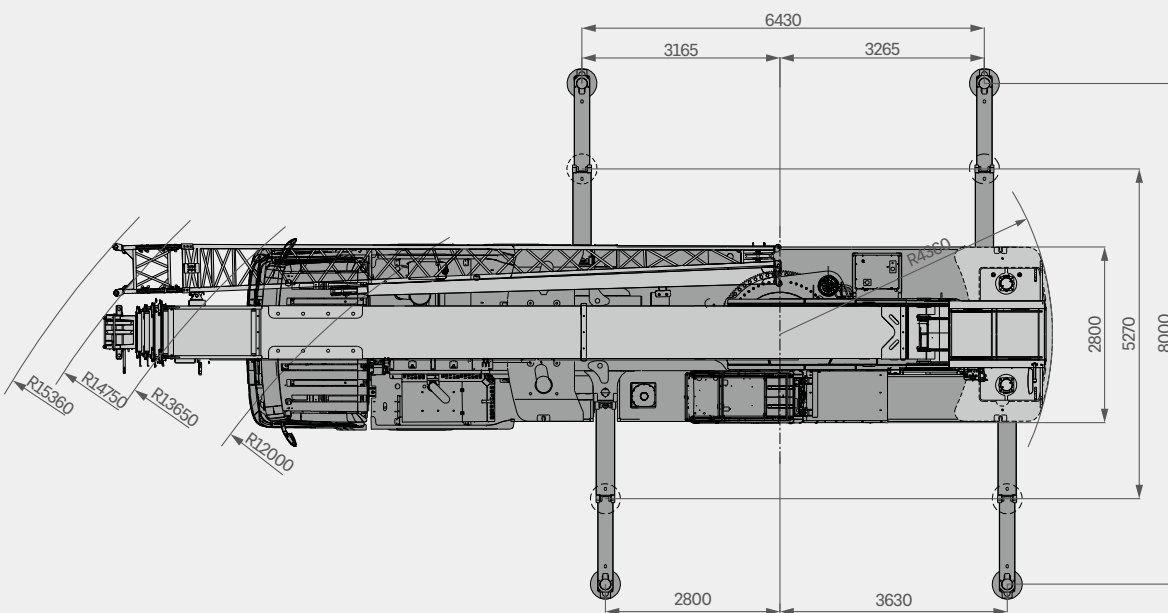
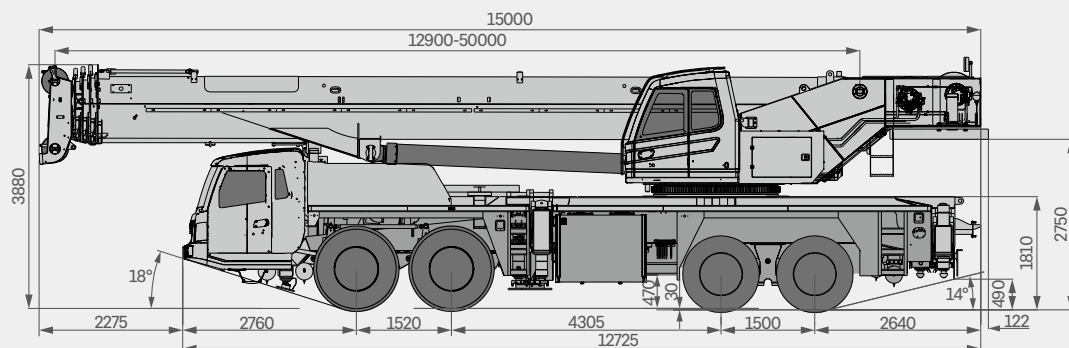


G Class, large capacity 400L fuel reservoir of increased mileage.
 H type outriggers and high strength box type frame featuring higher torsion resistance.
 DF CUMMINS large torque engine, FAST 10-speed gearbox with emergency steering, HANDE strong bearing axles, ensuring both robust power and fuel economy.

G 类车, 配置 400L 大容积燃油箱, 续航能力强。
 H 型活动支腿 + 高强度矩形截面车架, 提升吊载抗扭抗弯能力。
 东康大扭矩发动机、法士特 10 档带应急转向变速箱, 汉德重承载车桥, 兼具强劲动力及燃油经济性。



Overall Dimensions 整机尺寸图



Technical Specification 主要性能参数

类型 CATEGORY	项目 ITEM	单位 UNIT	参数 VALUE	
额定起重量 CAPACITY	Max. lifting capacity 最大起重量	t	90	
重量参数 WEIGHT	Gross weight 整机总质量	kg	50000	
发动机参数 POWER	Engine model 发动机型号 (排放标准)	-	DF CUMMINS ISLe375 30 (Euro III) 东风康明斯 ISLe375 30(欧 III)	
	Max. engine power 发动机最大功率	kW/rpm	275/2100	
	Max. engine torque 发动机最大输出扭矩	N·m/rpm	1550/1200	
尺寸参数 DIMENSIONS	Overall length 整机全长	mm	15000	
	Overall width 整机全宽	mm	2800	
	Overall height 整机全高	mm	3880	
行驶参数 TRAVEL	Max. travel speed 最高行驶速度	km/h	85	
	Steering radius 转弯半径	Min.steering radius 最小转弯半径	m	12
		Min.steering radius of boom tip 臂头最小转弯半径	m	15.6
	Wheel formula 车轮模式	-	8×4×4	
	Min.ground clearance 最小离地间隙	mm	310	
	Approach angle 接近角	°	18	
	Departure angle 离去角	°	14	
	Max.gradeability 最大爬坡度	%	45	
	Fuel consumption per 100km 每 100 公里油耗	L	46	
	Working temperature range 使用温度区间	°C	-25~+45	
主要性能参数 MAIN PERFORMANCE	Min.rated lifting radius 最小额定幅度	m	3	
	Tail slewing radius 转台尾部回转半径	m	4.36	
	Boom sections (Qty.) 臂节数	-	5	
	Boom shape 臂形状	-	U shape U 型	
	Max.lifting moment 最大起重力矩	Basic boom 基本臂	kN·m	3410
		Full-extension boom 全伸主臂	kN·m	1999
		Full-extension boom + jib 全伸主臂 + 副臂	kN·m	716
		Full-extension boom + extension + jib 全伸主臂 + 延伸臂 + 副臂	kN·m	470 (○)
	Boom length 臂长	Basic boom 基本臂	m	12.9
		Full-extension boom 全伸主臂	m	50
		Full-extension boom + jib 全伸主臂 + 副臂	m	67.5
		Full-extension boom + extension + jib 全伸主臂 + 延伸臂 + 副臂	m	77 (○)
	Max.lifting height 最大起重高度	Basic boom 基本臂	m	13.4
Full-extension boom 全伸主臂		m	50.5	
Full-extension boom + jib 全伸主臂 + 副臂		m	67.5	
Full-extension boom + extension + jib 全伸主臂 + 延伸臂 + 副臂		m	77 (○)	
Outrigger span (Longitudinal × Transverse) 支腿跨距 (纵 × 横)	m	6.43 × 8		
Jib offset 副臂安装角度	°	0, 15, 30		
空调 AIRCONDITIONER	In operator's cab 上车空调	-	Heating & cooling 制冷、制热	
	In driver's cab 下车空调	-	Heating & cooling 制冷、制热	

Technical Parameters 主要参数表



Axle Load 轴荷

Axle 轴	1	2	3	4	Gross weight 总重量
Axle load 轴荷 /t	12	12	13	13	50



Hook 吊钩

Rated load 额载 /t	Number of sheaves 滑轮数量	Rope rate 倍率	Hook weight 吊钩重量 /kg
55 ●	4	8	595
7.5 ●	1	1	150
75 ○	6	12	800
75(double eyed) ○	5	10	732
90 ○	6	12	830

● Standard 标配 ○ Optional 选配



Operations 主要动作参数

Item 项目	Max. single rope lifting speed (empty load) 单绳速度 (空载)	Rope diameter/length 钢丝绳直径 / 长度	Max. single line pull 最大单绳拉力
Main winch 主卷扬	130m/min	20mm/230m	7.5t
Auxiliary winch 副卷扬	130m/min	20mm/165m	7.5t
Slewing speed 回转速度		0 ~ 1.8r/min	
Full luffing up/down time of boom 主臂起落幅时间		60s/90s	
Full extension/retraction time of boom 主臂伸缩时间		140s/150s	
Outrigger jack 垂直支腿	Retraction 收	35s	
	Extension 放	35s	
Outrigger beam 水平支腿	Retraction 收	25s	
	Extension 放	30s	

Crane Introduction 整机介绍

Carrier 下车

Driver's cab 驾驶室

- Self-developed integral steel structure cab in ergonomic design, featuring vibration and external noise isolation.
- The cab is furnished in concept of convenience, safety, and comfort with pneumatic seats, seat belt, adjustable steering wheel, large rearview mirror, seat with headrest, demister, HVAC, 7" multimedia terminal, full set of controls and panels.
- 自主开发全宽钢整体式钢结构驾驶室，采用人体工程学原理设计，减震性和封闭性优良。
- 配备气动悬置的驾驶座与副驾座、三点安全带、可调整式的转向盘、大视野后视镜、配有头枕的舒适驾驶椅、防雾扇、冷暖空调、7寸多媒体娱乐终端等装备，控制仪器和仪表齐全。
- 更加舒适、安全、人性化。

Carrier frame 车架

- Designed and manufactured by Sany, the box-type structure is expanded in height and length, with its rigidity increased by 30%, featuring increased bearing capacity.
- 三一设计、制造，采用矩形截面结构，车架加高加宽，相较槽型车架，刚性提升 30%，承载能力得到大幅提升。

Engine 发动机

- Model: DF Cummins inline six-cylinder diesel engine with watercooler and inter cooler.
- Emission standard: Euro III .
- Fuel reservoir capacity: 400L.
- 型式：东风康明斯，直列六缸、水冷却、增压中冷、柴油发动机。
- 排放标准：欧 III。
- 燃料箱有效容积：400L。

Transmission 变速箱

- 10-speed manual transmission with synchronizer, large speed ratio range, adaptable to slope climbing and high-speed traveling.
- 手动带同步器变速箱，10 档，速比范围大，既可满足低速场地爬坡行驶，又可满足高速行驶。

Transmission shaft 传动轴

- Optimized layout, higher torque output via contrate gear connecting transmission shaft cardan.
- 优化的传动轴布置，传动轴传动平稳、可靠。最优优化力传输，采用端面齿联结传动轴，传递扭矩大。

Axle 车桥

- Axles 1, 2 are steered; axles 3, 4 are drive axles with built-in differential lock, realizing tougher ability to rough-terrain travelling. Two-stage reducer gear and smaller sized axle bags make it more flexible. Press welding process strengthens the axle cover.
- 3、4 轴为驱动轴，1、2 轴为转向轴，驱动轴内置轴间和轮间差速器锁，使车辆有更强的脱困能力；双级减速，桥包体积更小，使车辆有更好的通过性；冲焊桥壳工艺，承载能力更强。

Suspension system 悬挂

- Front suspension is realized by independent leaf spring, and rear parallel leaf spring with lever. With leaf spring verified by 100,000 cycling fatigue tests and optimized in specification, high strength and ride comfort are out of question.
- 前轴采用独立式钢板弹簧，中后轴采用摆动支架式钢板弹簧平衡悬架系统；板簧经过超过 10 万次的疲劳试验，同时优化前后板簧的性能参数，保证强度的同时兼顾乘坐的舒适性。

Steering 转向系统

- Axles 1, 2 are steered mechanically with large flow gearbox and hydro booster. Steering resistance decreased and operation made easier.
- 1 轴 +2 轴采用液压助力机械转向，采用大流量转向器 + 转向助力油缸，大大减小转向阻力，转向更轻便。

Tires 轮胎

- Radial tires, front size 385/95R25, rear size 325/95R24, common choice for heavy-duty trucks.
- 子午线轮胎，前 385/95R25，后 325/95R24，广泛适用于重型汽车，通用性强。

Wheel formula 车轮模式

- 8 x 4 x 4

Outrigger 支腿

- H-type welded by fine grain high strength steel, four point support, easy to operate. Outrigger beam hydraulically telescoping, jack telescoping protected by two-way pilot controlled valve.
- H 型支腿 4 点支撑，易操作、稳定性强；采用细晶粒高强度钢板材料，一、二级支腿全液压横向伸缩。支腿垂直油缸采用双向液压锁进行安全保护。

Brake 制动系统

- Air servo functions on all wheels with dual circuit system.
- Service brake: air servo, dual circuit split; wedge brake and double air chambers functioning on front axles.
- Parking brake: functioning at axles 3 and 4 by spring loaded air chamber.
- Emergency brake: performed by accumulator releasing pressure.
- Assisting brake: engine exhaust brake, safety assured when driving down long slopes.
- 所有车轮均用空气伺服制动器，双回路制动系统，发动机带排气制动。
- 制动系统包括行车制动、驻车制动、应急制动和辅助制动。
- 行车制动采用双回路制动系统，所有车轮均用空气伺服制动器，前桥采用楔式制动器 + 双气室，制动能力更强。
- 驻车制动是通过气室内弹簧作用在第三、四桥上。
- 应急制动阀由蓄能器储能断气制动兼做应急制动。
- 辅助制动为排气制动，保证在下长坡时的制动安全，保证行车的安全可靠。

Electrical system 电气系统

- 2*12V maintenance-free battery. CAN instrument, data integration between superstructure and chassis.
- 2 x 12V 免维护蓄电池；总线控制系统，可实现上下车信息交互。

Crane Introduction 整机介绍

Operator's cab 操纵室

- The cab is designed 0°-20° tiltable in ergonomic concept with deep consideration of convenience, safety, and comfort. Corrosion resistant bodywork with electric side step and softened interior trim. The skylight, adjustable seat, seven vent air conditioning, and electric windshield wiper make working on the crane more comfortable.
- Multi-dimensionally adjustable 10" LMI display integrates data with central console, ensuring that operation conditions are well monitored without blind spot.
- 自主开发操纵室, 可 0-20° 可仰, 配置电控伸缩踏板, 采用安全玻璃, 耐腐蚀钢板, 配置全覆盖软化内饰、全景式天窗、可调式座椅等人性化设计, 配有加大冷暖空调、立体 7 通道送风系统、电动雨刮器, 操作更舒适、轻松。
- 配置 6 向可调角度 10 英寸显示屏, 实现主控台与操作显示系统有机结合, 使吊装作业的全部工况数据一目了然。

Boom & telescoping system 伸缩臂架系统

- Five sections of U shape cross section welded by high strength structural steel. Telescoping is realized by two cylinders with rope arranger.
- 50m boom, 17.5m jib, optional 9.5m boom extension, altogether for max. height 77m.
- 五节臂, 全伸臂长 50m, 副臂 17.5m, 可选配 9.5m 延伸臂, 带副臂最大起升高度 77m。由高强度焊接结构钢制成, U 形截面, 双缸 + 绳排伸缩方式。

Hoist 起升系统

- Efficient and energy saving speed regulation is realized via double variables of pump and motor. Normally closed type winch brake, winch balance valve coupled with exclusive anti-slip tech contribute to smoother hoisting.
- 泵、马达双变量调速, 高效节能。常闭式卷扬制动器, 卷扬平衡阀与独特的防溜钩技术完美结合, 重物起落平稳。

Luffing system 变幅系统

- Passive luffing down with electro proportional balance valve, reducing energy cost. One luffing cylinder with hinge positioned to the front, making motion easier and boom stress optimized. Luffing angle: -1.6° ~ 80°.
- 自重落幅, 更加节能。采用单根油缸, 前铰支布置, 变幅更省力且起重臂受力得到改善; 采用电比例控制平衡阀。变幅角度: -1.6° ~ 80°。

Hydraulics 液压系统

- The all new smart double pump flow system lifts maneuverability of combined motions by 50%. The boom can luff at shunting mode and telescope at confluence mode.
- Load sensing variable piston pump can control flow in high precision, reducing energy loss significantly.
- Electrically controlled valve functions flow compensation and load sensing control, securing stable control over single and combined motions.
- Electronically controlled variable motor for winch is of highly efficiency, stability and low noise.
- 采用全新开发双泵智能流量系统, 变幅独立, 伸臂合流, 复合动作操控性提升 50% 以上。
- 采用进口负载敏感变量柱塞泵, 能实时调节油泵排量, 实现高精度的流量控制, 极大的降低能量损耗。
- 电控主阀具备流量补偿、负载反馈控制功能, 能在各种工况下, 轻松实现单个动作和组合动作的稳定控制。
- 卷扬采用电控变量马达, 高速效率高, 低速稳定噪音小。

Slewing 回转系统

- Free swing available. Balance valve is fitted for smooth start and stop. Inching motion performance sees high precision.
- 带集成回转缓冲阀, 具有自由滑转功能, 回转启动和控制平稳, 微动性卓越。

Control system 控制系统

- CAN-BUS instrument: integral electrical system control. Get the data any time and drive easily. Engine fault reminder available for convenient troubleshooting.
- LMI: smart load moment indicator providing all-round protection.
- Color LMI display: main parameters of working conditions are displayed clearly. I/O and maintenance display is provided for your quick mastering of whole machine conditions.
- Fault self-diagnosis: reliable functioning of the crane is guaranteed by pre-troubleshooting of electric system, hydraulics, chassis (for major safety malfunctioning), engine and transmission.
- 总线仪表: 采用集成一体智能控制电气系统的总线仪表, 可随时掌控行驶参数, 驾乘轻松; 同时, 拥有发动机故障提示功能, 维修排故方便、快捷。
- 力矩限制器: 采用高度智能力矩限制器系统, 全方位保护吊载作业, 确保操作精准、平稳、舒适。
- 上车采用彩色显示屏, 基本界面上显示有臂长、仰角、工作幅度、倍率大小、配重组合、发动机转速、吊钩选择等, 丰富易懂, 还增设 I/O 界面, 检修界面等多项功能, 能快速反映整车系统的工作状况。
- 故障自诊断系统, 利用故障诊断系统对上车电气、液压动作、底盘 (针对重大安全故障)、发动机及变速箱等故障进行检测, 以保证起重机可靠工作。

Counterweight 配重

- Counterweight features 6 combinations: 3.7t, 8.7t, 9.7t, 14.7t, 20.7t, optional 25.7t, satisfying various demands and giving full play to the structural advantage. CW assembly and disassembly controlled by one operator remotely.
- 组合式可变平衡重。3.7t、8.7t、9.7t、14.7t、20.7t、25.7t (选配) 共 6 种组合方式, 可满足不同工况的需求, 最大限度发挥结构件性能, 可单人遥控拆卸及安装, 微动性好。

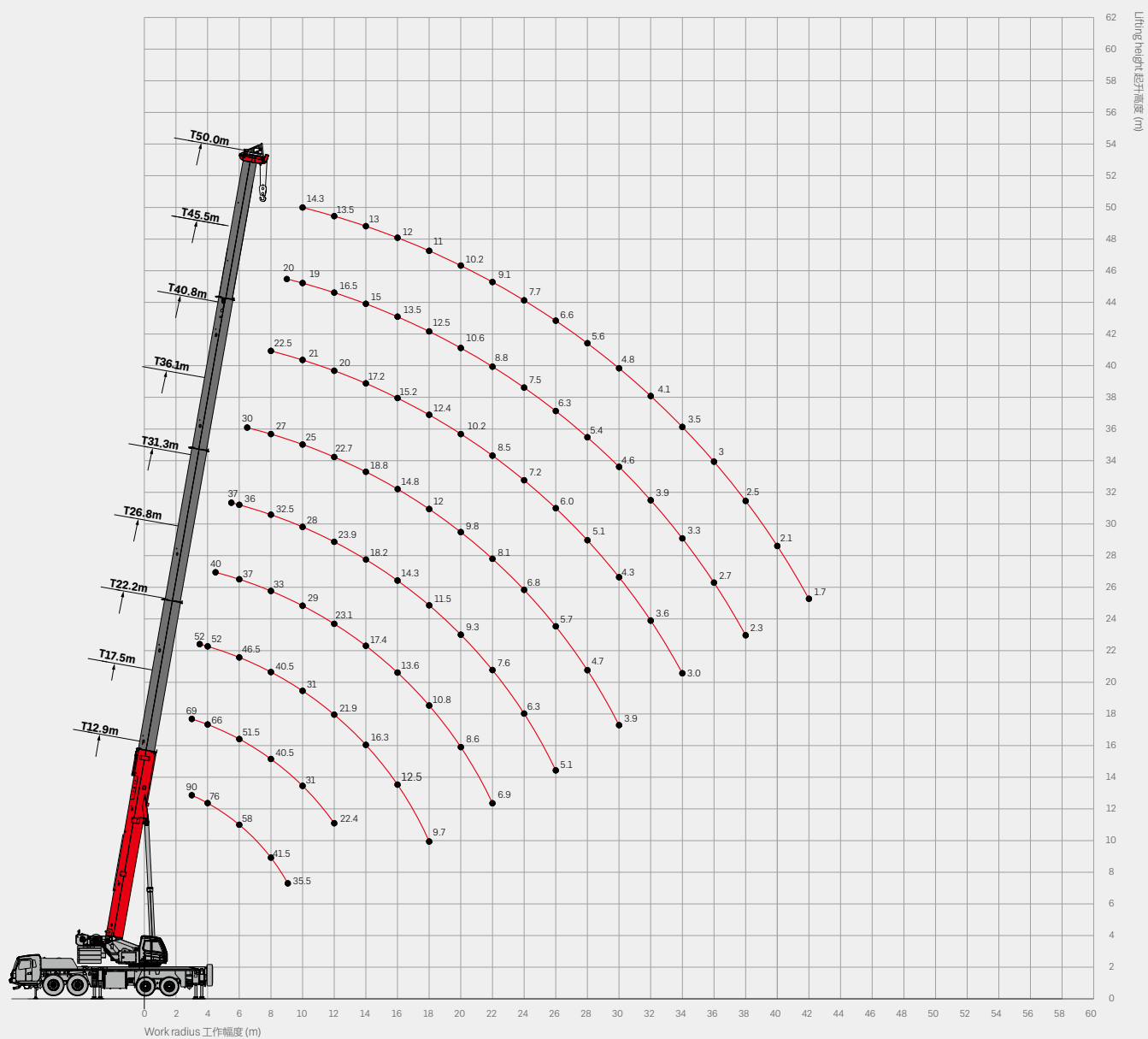
Safety equipment 安全装置

- Self-developed LMI. Load accuracy is maintained within $\pm 3\%$ via empty load calibration. System alarm is triggered before overload occurs.
- Hydraulic balance valve, relief valve, and two-way pilot-controlled valve ensure hydro system reliability.
- Three-circle protector and height limit switch are equipped for main and aux. winches to avoid over hoist down or up. Crane tipover is strictly prevented.
- Length & angle sensors, pressure sensors are fitted to display operation dynamics. Motion of risks are cut off automatically with buzzer alarming.
- 力矩限制器: 采用分析力学方法, 建立了基于吊重力学模型的力矩限制器计算系统, 通过在线空载标定, 额定吊重精度达到 $\pm 3\%$, 全方位保护吊载作业; 超载作业时, 系统自动报警提示, 为操纵作业提供安全保障。
- 液压系统配置液压平衡阀、溢流阀、双向液压锁等元件, 实现液压系统稳定可靠。
- 全方位的安全保护系统, 主、副卷扬配置三圈保护器和高度限位器, 防止钢丝绳过放和过卷, 防倾翻保护, 极限角度保护。
- 配置长度角度传感器、压力传感器, 实时显示起重机作业状态, 自动切断危险动作, 蜂鸣报警。

Optional equipment at extra fees 选配

- Additional two 2.5t CW blocks/9.5m boom extension.
- 75t main hook/90t main hook/75t double eyed hook.
- Outrigger pads sized 1500 × 1200 × 30.
- Wire rope of fast connector socket/Customized painting.
- Optional berth.
- Other equipment available upon request.
- 加 2 块 2.5t 活动配重/9.5m 延伸臂。
- 75t 主钩/90t 主钩/75t 锚钩。
- 1500 × 1200 × 30 支腿垫板。
- 快速索节钢丝绳/特殊涂装。
- 选配卧铺。
- 其他选配视需求定。

Operating Range - Telescopic Boom 主臂起升高度



Load Chart-Telescopic Boom 主臂性能表

Optional 选配



Unit: kg

Radius (m) 幅度	12.9	17.5	22.2	26.8	31.3	36.1	40.8	45.5	50	17.5	Radius (m) 幅度
3	90000	69000								40000	3
3.5	80000	68000	52000							40000	3.5
4	76000	66000	52000							40000	4
4.5	72000	63500	52000	40000						40000	4.5
5	66000	60000	50000	40000						40000	5
5.5	63000	55500	48000	38000	37000					40000	5.5
6	60000	52000	46500	37000	36000					40000	6
6.5	54500	49000	45500	36000	35000	30000				40000	6.5
7	49500	46500	44500	35000	34000	29000				40000	7
7.5	46000	43500	42500	34500	33000	28000				39000	7.5
8	42500	40500	40500	33000	32500	27000	22500			38500	8
9	36000	35800	35500	31000	30000	26000	21500	20000		37000	9
10		31000	31000	29000	28000	25000	21000	19000	14300	32500	10
11		27500	27500	26500	26000	24000	20500	18000	14000	29000	11
12		24500	24200	23800	24000	22700	20000	16500	13500	25500	12
14			18800	19500	20000	19800	17200	15000	13000		14
16			14500	15600	16300	16500	15200	13500	12000		16
18			11500	12500	13200	13700	13200	12500	11000		18
20				10200	10900	11400	11200	11000	10200		20
22				8300	9000	9500	9600	9500	9500		22
24					7500	8000	8300	8200	8500		24
26					6300	6700	7200	7100	7500		26
28						5500	6100	6200	6600		28
30						4500	5200	5400	5800		30
32							4500	4700	5000		32
34							3800	4100	4300		34
36								3500	3800		36
38								3000	3200		38
40									2800		40
42									2400		42
44											44
46											46
Telescoping status 伸缩模式											
Cylinder I 一号缸	0%	50%	100%	100%	100%	100%	100%	100%	100%	0%	Cylinder I 一号缸
Cylinder II 二号缸	0%	0%	0%	16.5%	33%	50%	67%	84%	100%	75%	Cylinder II 二号缸
Rope rate 钢丝绳倍率	12	10	7	6	5	4	3	3	3	6	Rope rate 钢丝绳倍率

Load Chart-Telescopic Boom 主臂性能表

Optional 选配



Unit: kg

Radius (m) 幅度	22.1	26.8	31.5	36.3	40.7	22.1	26.7	31.4	36.2	40.9	45.3	Radius (m) 幅度
3												3
3.5	38000					40000						3.5
4	38000					40000	38000					4
4.5	38000	35000				40000	38000					4.5
5	38000	35000				40000	38000	35000				5
5.5	38000	35000	26000			40000	38000	35000				5.5
6	38000	35000	26000			40000	38000	35000				6
6.5	38000	35000	26000			40000	37000	34000				6.5
7	38000	35000	26000	21000		40000	36500	33000	26000			7
7.5	37000	35000	26000	21000		39000	36000	32000	25500			7.5
8	36500	34000	25000	21000	18000	38000	35000	31000	25000	20500		8
9	35000	31300	24000	20000	17500	36500	32500	30000	24500	20000	17500	9
10	32500	29200	21800	18600	17000	32500	30000	28000	24000	19500	17000	10
11	30000	27000	20200	17500	16200	29000	27500	26000	23000	19000	16000	11
12	26500	25000	19000	16200	15500	25500	24500	24500	22000	18000	15500	12
14	21500	21000	16500	14000	13800	20300	20300	20200	19500	16500	14000	14
16	17500	17500	14200	12300	12300	16000	16800	16700	16500	15000	12600	16
18	14400	14700	12500	11000	11100	12900	13700	14000	14000	13500	11500	18
20		12400	11000	9800	10200		11300	11700	12000	11800	10300	20
22		10600	9700	8800	9400		9500	9900	10400	10200	9300	22
24			8700	7900	8400			8300	8900	8800	8400	24
26			7800	7100	7600			7000	7600	7700	7500	26
28				6400	6900				6600	6700	6700	28
30				5800	6200				5700	5800	6000	30
32					5600					5000	5300	32
34					5100					4400	4700	34
36											4100	36
38											3600	38
40												40
42												42
44												44
46												46
Telescoping status 伸缩模式												
Cylinder I 一号缸	0%	0%	0%	0%	0%	50%	50%	50%	50%	50%	50%	Cylinder I 一号缸
Cylinder II 二号缸	33%	50%	67%	84%	100%	16.5%	33%	50%	67%	84%	100%	Cylinder II 二号缸
Rope rate 钢丝绳倍率	5	5	4	3	3	6	5	5	4	3	3	Rope rate 钢丝绳倍率

Load Chart-Telescopic Boom 主臂性能表



Unit: kg

Radius (m) 幅度	12.9	17.5	22.2	26.8	31.3	36.1	40.8	45.5	50	17.5	Radius (m) 幅度
3	90000	69000								40000	3
3.5	80000	68000	52000							40000	3.5
4	76000	66000	52000							40000	4
4.5	71000	63500	52000	40000						40000	4.5
5	66000	60000	50000	40000						40000	5
5.5	62000	55500	48000	38000	37000					40000	5.5
6	58000	51500	46500	37000	36000					40000	6
6.5	53000	49000	45500	36000	35000	30000				40000	6.5
7	48000	46500	44500	35000	34000	29000				40000	7
7.5	44500	43500	42500	34500	33000	28000				39000	7.5
8	41500	40500	40500	33000	32500	27000	22500			38500	8
9	35500	35800	35500	31000	30000	26000	21500	20000		37000	9
10		31000	31000	29000	28000	25000	21000	19000	14300	32500	10
11		26300	25800	26500	26000	24000	20500	18000	14000	28500	11
12		22400	21900	23100	23900	22700	20000	16500	13500	24500	12
14			16300	17400	18200	18800	17200	15000	13000		14
16			12500	13600	14300	14800	15200	13500	12000		16
18			9700	10800	11500	12000	12400	12500	11000		18
20				8600	9300	9800	10200	10600	10200		20
22				6900	7600	8100	8500	8800	9100		22
24					6300	6800	7200	7500	7700		24
26					5100	5700	6000	6300	6600		26
28						4700	5100	5400	5600		28
30						3900	4300	4600	4800		30
32							3600	3900	4100		32
34							3000	3300	3500		34
36								2700	3000		36
38								2300	2500		38
40									2100		40
42									1700		42
44											44
46											46
Telescoping status 伸缩模式											
Cylinder I 一号缸	0%	50%	100%	100%	100%	100%	100%	100%	100%	0%	Cylinder I 一号缸
Cylinder II 二号缸	0%	0%	0%	16.5%	33%	50%	67%	84%	100%	16.5%	Cylinder II 二号缸
Rope rate 钢丝绳倍率	12	10	7	6	5	4	3	3	3	6	Rope rate 钢丝绳倍率

Load Chart-Telescopic Boom 主臂性能表



Unit: kg

Radius (m) 幅度	22.1	26.8	31.5	36.3	40.7	22.1	26.7	31.4	36.2	40.9	45.3	Radius (m) 幅度
3												3
3.5	38000					40000						3.5
4	38000					40000	38000					4
4.5	38000	35000				40000	38000					4.5
5	38000	35000				40000	38000	35000				5
5.5	38000	35000	26000			40000	38000	35000				5.5
6	38000	35000	26000			40000	38000	35000				6
6.5	38000	35000	26000			40000	37000	34000				6.5
7	38000	35000	26000	21000		40000	36500	33000	26000			7
7.5	37000	35000	26000	21000		39000	36000	32000	25500			7.5
8	36500	34000	25000	21000	18000	38000	35000	31000	25000	20500		8
9	35000	31300	24000	20000	17500	36500	32500	30000	24500	20000	17500	9
10	32500	29200	21800	18600	17000	32500	30000	28000	24000	19500	17000	10
11	29300	27000	20200	17500	16200	27600	27500	26000	23000	19000	16000	11
12	25200	25000	19000	16200	15500	23600	24500	24500	22000	18000	15500	12
14	19400	20000	16500	14000	13800	17900	18700	19300	19500	16500	14000	14
16	15500	16000	14200	12300	12300	14000	14800	15300	15800	15000	12600	16
18	12600	13100	12500	11000	11100	11200	11900	12500	12900	13200	11500	18
20		10900	11000	9800	10200		9800	10300	10700	11000	10300	20
22		9200	9600	8800	9400		8100	8600	9000	9300	9300	22
24			8200	7900	8400			7200	7600	7900	8100	24
26			7000	7100	7500			6100	6500	6800	7000	26
28				6300	6500				5500	5800	6000	28
30				5500	5700				4700	5000	5200	30
32					5000					4300	4500	32
34					4400					3700	3900	34
36											3400	36
38											2900	38
40												40
42												42
44												44
46												46
Telescoping status 伸缩模式												
Cylinder I 一号缸	0%	0%	0%	0%	0%	50%	50%	50%	50%	50%	50%	Cylinder I 一号缸
Cylinder II 二号缸	33%	50%	67%	84%	100%	16.5%	33%	50%	67%	84%	100%	Cylinder II 二号缸
Rope rate 钢丝绳倍率	5	5	4	3	3	6	5	5	4	3	3	Rope rate 钢丝绳倍率

Load Chart-Telescopic Boom 主臂性能表



Unit: kg

Radius (m) 幅度	12.9	17.5	22.2	26.8	31.3	36.1	40.8	45.5	50	17.5	Radius (m) 幅度
3	90000	69000								40000	3
3.5	80000	68000	52000							40000	3.5
4	76000	66000	52000							40000	4
4.5	70000	63500	52000	40000						40000	4.5
5	64000	60000	50000	40000						40000	5
5.5	59000	55500	48000	38000	37000					40000	5.5
6	55000	51500	46500	37000	36000					40000	6
6.5	50500	48500	45500	36000	35000	30000				40000	6.5
7	46200	45500	44500	35000	34000	29000				40000	7
7.5	43000	42000	41000	34500	33000	28000				39000	7.5
8	40000	39000	38000	33000	32500	27000	22500			38500	8
9	32500	32900	32300	31000	30000	26000	21500	20000		35000	9
10		26700	26200	27500	28000	25000	21000	19000	14300	29000	10
11		22200	21800	23000	23800	24000	20500	18000	14000	24400	11
12		18800	18300	19500	20300	20900	20000	16500	13500	20800	12
14			13400	14500	15300	15900	16300	15000	13000		14
16			10000	11100	11800	12400	12800	13200	12000		16
18			7600	8600	9300	9900	10300	10600	10900		18
20				6800	7500	8000	8400	8700	8900		20
22				5200	6000	6400	6900	7200	7400		22
24					4700	5200	5600	6000	6200		24
26					3700	4200	4600	4900	5200		26
28						3300	3800	4100	4300		28
30						2600	3000	3300	3600		30
32							2400	2700	2900		32
34							1900	2200	2400		34
36								1700	1900		36
38								1300	1500		38
40									1100		40
42									800		42
44											44
46											46
Telescoping status 伸缩模式											
Cylinder I 一号缸	0%	50%	100%	100%	100%	100%	100%	100%	100%	0%	Cylinder I 一号缸
Cylinder II 二号缸	0%	0%	0%	16.5%	33%	50%	67%	84%	100%	16.5%	Cylinder II 二号缸
Rope rate 钢丝绳倍率	12	10	7	6	5	4	3	3	3	6	Rope rate 钢丝绳倍率

Load Chart-Telescopic Boom 主臂性能表



Unit: kg

Radius (m) 幅度	22.1	26.8	31.5	36.3	40.7	22.1	26.7	31.4	36.2	40.9	45.3	Radius (m) 幅度
3												3
3.5	38000					40000						3.5
4	38000					40000	38000					4
4.5	38000	35000				40000	38000					4.5
5	38000	35000				40000	38000	35000				5
5.5	38000	35000	26000			40000	38000	35000				5.5
6	38000	35000	26000			40000	38000	35000				6
6.5	38000	35000	26000			40000	37000	34000				6.5
7	38000	35000	26000	21000		40000	36500	33000	26000			7
7.5	37000	35000	26000	21000		39000	36000	32000	25500			7.5
8	36500	34000	25000	21000	18000	38000	35000	31000	25000	20500		8
9	35000	31300	24000	20000	17500	34300	32500	30000	24500	20000	17500	9
10	29800	29200	21800	18600	17000	28000	29000	28000	24000	19500	17000	10
11	25200	25800	20200	17500	16200	23500	24400	25000	23000	19000	16000	11
12	21600	22200	19000	16200	15500	20000	20800	21500	21900	18000	15500	12
14	16500	17100	16500	14000	13800	14900	15800	16400	16800	16500	14000	14
16	13000	13500	13900	12300	12300	11500	12300	12900	13300	13600	12600	16
18	10500	11000	11400	11000	11100	9000	9800	10400	10800	11100	11300	18
20		9100	9400	9700	9900		7900	8400	8800	9100	9400	20
22		7600	7900	8200	8300		6400	6900	7300	7600	7800	22
24			6700	6900	7100			5700	6100	6400	6600	24
26			5600	5900	6100			4700	5100	5400	5600	26
28				5000	5200				4200	4500	4700	28
30				4300	4500				3500	3800	4000	30
32					3800					3100	3400	32
34					3300					2600	2800	34
36											2300	36
38											1900	38
40												40
42												42
44												44
46												46
Telescoping status 伸缩模式												
Cylinder I 一号缸	0%	0%	0%	0%	0%	50%	50%	50%	50%	50%	50%	Cylinder I 一号缸
Cylinder II 二号缸	33%	50%	67%	84%	100%	16.5%	33%	50%	67%	84%	100%	Cylinder II 二号缸
Rope rate 钢丝绳倍率	5	5	4	3	3	6	5	5	4	3	3	Rope rate 钢丝绳倍率

Load Chart-Telescopic Boom 主臂性能表



Unit: kg

Radius (m) 幅度	12.9	17.5	22.2	26.8	31.3	36.1	40.8	45.5	50	17.5	Radius (m) 幅度
3	90000	69000								40000	3
3.5	80000	68000	52000							40000	3.5
4	74000	66000	52000							40000	4
4.5	68000	63500	52000	40000						40000	4.5
5	62000	60000	50000	40000						40000	5
5.5	57000	55500	48000	38000	37000					40000	5.5
6	53000	51500	46500	37000	36000					40000	6
6.5	48500	47000	45500	36000	35000	30000				40000	6.5
7	44000	43100	42200	35000	34000	29000				40000	7
7.5	40000	39000	38000	34500	33000	28000				39000	7.5
8	36500	35500	34500	33000	32500	27000	22500			37500	8
9	29000	28200	27700	29100	30000	26000	21500	20000		30700	9
10		22800	22300	23600	24500	25000	21000	19000	14300	25100	10
11		18800	18400	19600	20400	21100	20500	18000	14000	21000	11
12		15800	15300	16500	17300	17900	18400	16500	13500	17800	12
14			11000	12100	12800	13400	13900	14200	13000		14
16			7900	9000	9800	10300	10800	11100	11400		16
18			5700	6700	7500	8000	8500	8800	9100		18
20				5000	5800	6300	6700	7000	7300		20
22				3700	4400	4900	5300	5700	5900		22
24					3300	3800	4300	4600	4800		24
26					2500	2900	3400	3700	3900		26
28						2200	2600	2900	3100		28
30						1600	2000	2300	2500		30
32							1400	1700	2000		32
34							1000	1300	1500		34
36								900	1100		36
38											38
40											40
42											42
44											44
46											46
Telescoping status 伸缩模式											
Cylinder I 一号缸	0%	50%	100%	100%	100%	100%	100%	100%	100%	0%	Cylinder I 一号缸
Cylinder II 二号缸	0%	0%	0%	16.5%	33%	50%	67%	84%	100%	16.5%	Cylinder II 二号缸
Rope rate 钢丝绳倍率	12	10	7	6	5	4	3	3	3	6	Rope rate 钢丝绳倍率

Load Chart-Telescopic Boom 主臂性能表



Unit: kg

Radius (m) 幅度	22.1	26.8	31.5	36.3	40.7	22.1	26.7	31.4	36.2	40.9	45.3	Radius (m) 幅度
3												3
3.5	38000					40000						3.5
4	38000					40000	38000					4
4.5	38000	35000				40000	38000					4.5
5	38000	35000				40000	38000	35000				5
5.5	38000	35000	26000			40000	38000	35000				5.5
6	38000	35000	26000			40000	38000	35000				6
6.5	38000	35000	26000			40000	37000	34000				6.5
7	38000	35000	26000	21000		40000	36500	33000	26000			7
7.5	37000	35000	26000	21000		39000	36000	32000	25500			7.5
8	36500	34000	25000	21000	18000	37500	35000	31000	25000	20500		8
9	31500	31300	24000	20000	17500	29600	30700	30000	24500	20000	17500	9
10	25900	26600	21800	18600	17000	24100	25100	25800	24000	19500	17000	10
11	21800	22400	20200	17500	16200	20100	21000	21600	22100	19000	16000	11
12	18600	19200	19000	16200	15500	17000	17800	18500	18900	18000	15500	12
14	14100	14600	15000	14000	13800	12500	13300	13900	14400	14700	14000	14
16	11000	11500	11900	12200	12300	9400	10300	10800	11300	11600	11800	16
18	8600	9200	9600	9900	10100	7200	8000	8500	8900	9300	9500	18
20		7400	7800	8100	8300		6200	6800	7200	7500	7700	20
22		6000	6400	6700	6900		4900	5400	5800	6100	6300	22
24			5300	5500	5700			4300	4700	5000	5200	24
26			4400	4600	4800			3400	3800	4100	4300	26
28				3900	4100				3100	3300	3600	28
30				3200	3400				2400	2700	2900	30
32					2900					2200	2400	32
34					2400					1700	1900	34
36											1500	36
38											1100	38
40												40
42												42
44												44
46												46
Telescoping status 伸缩模式												
Cylinder I 一号缸	0%	0%	0%	0%	0%	50%	50%	50%	50%	50%	50%	Cylinder I 一号缸
Cylinder II 二号缸	33%	50%	67%	84%	100%	16.5%	33%	50%	67%	84%	100%	Cylinder II 二号缸
Rope rate 钢丝绳倍率	5	5	4	3	3	6	5	5	4	3	3	Rope rate 钢丝绳倍率

Load Chart-Telescopic Boom 主臂性能表



Unit: kg

Radius (m) 幅度	12.9	17.5	22.2	26.8	31.3	36.1	40.8	45.5	50	17.5	Radius (m) 幅度
3	90000	69000								40000	3
3.5	80000	68000	52000							40000	3.5
4	74000	66000	52000							40000	4
4.5	68000	63500	52000	40000						40000	4.5
5	62000	60000	50000	40000						40000	5
5.5	56700	55500	48000	38000	37000					40000	5.5
6	52200	51000	46500	37000	36000					40000	6
6.5	48000	46500	45500	36000	35000	30000				40000	6.5
7	43500	42500	41600	35000	34000	29000				40000	7
7.5	39500	38500	37600	34500	33000	28000				39000	7.5
8	35500	34500	33600	33000	32500	27000	22500			36500	8
9	28000	27300	26800	28200	29100	26000	21500	20000		29700	9
10		22000	21500	22800	23700	24400	21000	19000	14300	24300	10
11		18100	17700	18900	19700	20400	20500	18000	14000	20300	11
12		15200	14700	15900	16700	17300	17800	16500	13500	17200	12
14			10500	11600	12300	12900	13400	13700	13000		14
16			7400	8500	9300	9900	10300	10700	11000		16
18			5300	6300	7100	7600	8100	8400	8700		18
20				4700	5400	5900	6400	6700	6900		20
22				3400	4100	4600	5000	5400	5600		22
24					3100	3500	4000	4300	4500		24
26					2200	2700	3100	3400	3600		26
28						2000	2400	2700	2900		28
30						1300	1800	2100	2300		30
32							1200	1500	1800		32
34							800	1100	1300		34
36									900		36
38											38
40											40
42											42
44											44
46											46
Telescoping status 伸缩模式											
Cylinder I 一号缸	0%	50%	100%	100%	100%	100%	100%	100%	100%	0%	Cylinder I 一号缸
Cylinder II 二号缸	0%	0%	0%	16.5%	33%	50%	67%	84%	100%	16.5%	Cylinder II 二号缸
Rope rate 钢丝绳倍率	12	10	7	6	5	4	3	3	3	6	Rope rate 钢丝绳倍率

Load Chart-Telescopic Boom 主臂性能表



Unit: kg

Radius (m) 幅度	22.1	26.8	31.5	36.3	40.7	22.1	26.7	31.4	36.2	40.9	45.3	Radius (m) 幅度
3												3
3.5	38000					40000						3.5
4	38000					40000	38000					4
4.5	38000	35000				40000	38000					4.5
5	38000	35000				40000	38000	35000				5
5.5	38000	35000	26000			40000	38000	35000				5.5
6	38000	35000	26000			40000	38000	35000				6
6.5	38000	35000	26000			40000	37000	34000				6.5
7	38000	35000	26000	21000		40000	36500	33000	26000			7
7.5	37000	35000	26000	21000		39000	36000	32000	25500			7.5
8	36500	34000	25000	21000	18000	36000	35000	31000	25000	20500		8
9	30600	31300	24000	20000	17500	28700	29700	30000	24500	20000	17500	9
10	25100	25800	21800	18600	17000	23300	24300	25000	24000	19500	17000	10
11	21100	21700	20200	17500	16200	19400	20300	21000	21500	19000	16000	11
12	18000	18600	19000	16200	15500	16400	17200	17900	18300	18000	15500	12
14	13600	14100	14500	14000	13800	12000	12900	13400	13900	14200	14000	14
16	10500	11100	11500	11700	11900	9000	9800	10400	10800	11200	11400	16
18	8200	8800	9200	9500	9700	6800	7600	8100	8600	8900	9100	18
20		7100	7400	7700	7900		5900	6400	6800	7100	7400	20
22		5700	6100	6400	6500		4600	5100	5500	5800	6000	22
24			5000	5300	5500			4000	4400	4700	4900	24
26			4100	4400	4600			3200	3600	3800	4100	26
28				3600	3800				2800	3100	3300	28
30				3000	3200				2200	2500	2700	30
32					2700					2000	2200	32
34					2200					1500	1700	34
36											1300	36
38											900	38
40												40
42												42
44												44
46												46
Telescoping status 伸缩模式												
Cylinder I 一号缸	0%	0%	0%	0%	0%	50%	50%	50%	50%	50%	50%	Cylinder I 一号缸
Cylinder II 二号缸	33%	50%	67%	84%	100%	16.5%	33%	50%	67%	84%	100%	Cylinder II 二号缸
Rope rate 钢丝绳倍率	5	5	4	3	3	6	5	5	4	3	3	Rope rate 钢丝绳倍率

Load Chart-Telescopic Boom 主臂性能表



Unit: kg

Radius (m) 幅度	12.9	17.5	22.2	26.8	31.3	36.1	40.8	45.5	50	17.5	Radius (m) 幅度
3	90000	69000								40000	3
3.5	80000	68000	52000							40000	3.5
4	74000	66000	52000							40000	4
4.5	66000	62000	52000	40000						40000	4.5
5	60000	57000	50000	40000						40000	5
5.5	55000	52000	48000	38000	37000					40000	5.5
6	50500	48500	46500	37000	36000					40000	6
6.5	45000	44000	43100	36000	35000	30000				40000	6.5
7	40500	39500	38600	35000	34000	29000				40000	7
7.5	34800	33700	33100	34500	33000	28000				36600	7.5
8	30200	29200	28700	30200	31000	27000	22500			31900	8
9	23600	22700	22100	23500	24500	25300	21500	20000		25100	9
10		18100	17600	18900	19800	20600	21000	19000	14300	20400	10
11		14700	14300	15500	16300	17100	17600	18000	14000	16900	11
12		12000	11500	12800	13600	14400	14900	15300	13500	14200	12
14			7700	8900	9700	10300	10900	11200	11500		14
16			5100	6200	7000	7600	8100	8500	8800		16
18			3300	4400	5100	5700	6200	6500	6800		18
20				3000	3700	4300	4700	5100	5300		20
22				1900	2600	3200	3600	3900	4200		22
24					1700	2300	2700	3000	3200		24
26					900	1500	1900	2300	2500		26
28						900	1300	1600	1900		28
30							800	1100	1300		30
32									900		32
34											34
36											36
38											38
40											40
42											42
44											44
46											46
Telescoping status 伸缩模式											
Cylinder I 一号缸	0%	50%	100%	100%	100%	100%	100%	100%	100%	0%	Cylinder I 一号缸
Cylinder II 二号缸	0%	0%	0%	16.5%	33%	50%	67%	84%	100%	16.5%	Cylinder II 二号缸
Rope rate 钢丝绳倍率	12	10	7	6	5	4	3	3	3	6	Rope rate 钢丝绳倍率

Load Chart-Telescopic Boom 主臂性能表



Unit: kg

Radius (m) 幅度	22.1	26.8	31.5	36.3	40.7	22.1	26.7	31.4	36.2	40.9	45.3	Radius (m) 幅度
3												3
3.5	38000					40000						3.5
4	38000					40000	38000					4
4.5	38000	35000				40000	38000					4.5
5	38000	35000				40000	38000	35000				5
5.5	38000	35000	26000			40000	38000	35000				5.5
6	38000	35000	26000			40000	38000	35000				6
6.5	38000	35000	26000			40000	37000	34000				6.5
7	38000	35000	26000	21000		40000	36500	33000	26000			7
7.5	37000	35000	26000	21000		35400	36000	32000	25500			7.5
8	32900	33700	25000	21000	18000	30800	31900	31000	25000	20500		8
9	26000	26700	24000	20000	17500	24100	25100	25900	24500	20000	17500	9
10	21200	21900	21800	18600	17000	19400	20400	21100	21700	19500	17000	10
11	17700	18300	18800	17500	16200	16000	16900	17600	18100	18500	16000	11
12	15000	15600	16000	16200	15500	13300	14200	14900	15400	15800	15500	12
14	10900	11500	12000	12400	12600	9300	10200	10800	11400	11700	12000	14
16	8200	8800	9200	9600	9800	6700	7500	8100	8600	9000	9200	16
18	6300	6800	7200	7600	7800	4800	5600	6200	6700	7000	7200	18
20		5300	5700	6100	6300		4100	4700	5200	5500	5700	20
22		4200	4600	4900	5100		3000	3600	4100	4400	4600	22
24			3600	4000	4200			2700	3100	3400	3700	24
26			2900	3200	3400			1900	2400	2700	2900	26
28				2600	2800				1800	2100	2300	28
30				2000	2200				1200	1500	1700	30
32					1800					1100	1300	32
34					1400						900	34
36												36
38												38
40												40
42												42
44												44
46												46
Telescoping status 伸缩模式												
Cylinder I 一号缸	0%	0%	0%	0%	50%	50%	50%	50%	50%	50%	50%	Cylinder I 一号缸
Cylinder II 二号缸	50%	67%	84%	100%	16.5%	33%	50%	67%	84%	100%	100%	Cylinder II 二号缸
Rope rate 钢丝绳倍率	5	5	4	3	3	6	5	5	4	3	3	Rope rate 钢丝绳倍率

Load Chart-Telescopic Boom 主臂性能表

Optional 选配



Unit: kg

Radius (m) 幅度	12.9	17.5	22.2	26.8	31.3	36.1	40.8	45.5	50	17.5	Radius (m) 幅度
3	70000	60000								40000	3
3.5	68000	59000	47000							40000	3.5
4	66000	58000	47000							40000	4
4.5	62000	55000	46000	40000						40000	4.5
5	56000	51000	44000	40000						40000	5
5.5	53000	47000	42000	38000	37000					40000	5.5
6	50000	44000	41000	37000	36000					40000	6
6.5	44000	40000	39000	36000	35000	30000				40000	6.5
7	39000	37000	36000	35000	34000	29000				38000	7
7.5	35000	34000	33000	33000	33000	28000				35000	7.5
8	32000	31000	30000	30000	30000	27000	22500			32000	8
9	26000	26000	25600	26000	26500	26000	21500	20000		26500	9
10		21600	21100	22000	22500	22500	21000	19000	14300	22500	10
11		18100	17700	18800	19500	19500	20000	18000	14000	19500	11
12		15400	15000	16000	16500	17000	17800	16500	13500	17000	12
14			11000	12000	12700	13200	13700	14000	13000		14
16			8200	9200	9900	10400	10800	11100	11400		16
18			6100	7100	7800	8300	8700	9000	9200		18
20				5500	6200	6600	7000	7300	7600		20
22				4200	4900	5300	5700	6000	6300		22
24					3800	4300	4700	5000	5200		24
26					2900	3400	3800	4100	4300		26
28						2700	3100	3300	3600		28
30						2000	2400	2700	2900		30
32							1900	2200	2400		32
34							1400	1700	1900		34
36								1300	1500		36
38								900	1100		38
40									800		40
42											42
44											44
46											46
Telescoping status 伸缩模式											
Cylinder I 一号缸	0%	50%	100%	100%	100%	100%	100%	100%	100%	0%	Cylinder I 一号缸
Cylinder II 二号缸	0%	0%	0%	16.5%	33%	50%	67%	84%	100%	16.5%	Cylinder II 二号缸
Rope rate 钢丝绳倍率	12	10	7	6	5	4	3	3	3	6	Rope rate 钢丝绳倍率

Load Chart-Telescopic Boom 主臂性能表

Optional 选配



Unit: kg

Radius (m) 幅度	22.1	26.8	31.5	36.3	40.7	22.1	26.7	31.4	36.2	40.9	45.3	Radius (m) 幅度
3												3
3.5	38000					40000						3.5
4	38000					40000	38000					4
4.5	38000	35000				40000	38000					4.5
5	38000	35000				40000	38000	35000				5
5.5	38000	35000	26000			40000	38000	35000				5.5
6	38000	35000	26000			40000	38000	35000				6
6.5	38000	35000	26000			40000	37000	34000				6.5
7	38000	35000	26000	21000		37000	36500	33000	26000			7
7.5	35000	35000	26000	21000		34000	34000	32000	25500			7.5
8	32000	32000	25000	21000	18000	31000	31000	31000	25000	20500		8
9	27500	28000	24000	20000	17500	26500	27000	27000	24500	20000	17500	9
10	23500	24000	21800	18600	17000	22500	23000	23000	23000	19500	17000	10
11	20500	21000	20200	17500	16200	19200	20000	20000	20000	19000	16000	11
12	17500	18000	18000	16200	15500	16500	17000	17000	18300	18000	15500	12
14	13900	14400	14800	14000	13800	12400	13200	13800	14200	14500	14000	14
16	11000	11500	11900	12100	12300	9600	10400	10900	11300	11600	11800	16
18	8900	9400	9700	10000	10100	7500	8200	8800	9100	9400	9600	18
20		7700	8100	8300	8500		6600	7100	7500	7800	8000	20
22		6400	6700	7000	7200		5300	5800	6200	6500	6700	22
24			5700	5900	6100			4700	5100	5400	5600	24
26			4800	5000	5200			3900	4200	4500	4700	26
28				4300	4400				3500	3800	4000	28
30				3600	3800				2800	3100	3300	30
32					3200					2600	2800	32
34					2800					2100	2300	34
36											1900	36
38											1500	38
40												40
42												42
44												44
46												46
Telescoping status 伸缩模式												
Cylinder I 一号缸	0%	0%	0%	0%	0%	50%	50%	50%	50%	50%	50%	Cylinder I 一号缸
Cylinder II 二号缸	33%	50%	67%	84%	100%	16.5%	33%	50%	67%	84%	100%	Cylinder II 二号缸
Rope rate 钢丝绳倍率	5	5	4	3	3	6	5	5	4	3	3	Rope rate 钢丝绳倍率

Load Chart-Telescopic Boom 主臂性能表



Unit: kg

Radius (m) 幅度	12.9	17.5	22.2	26.8	31.3	36.1	40.8	45.5	50	17.5	Radius (m) 幅度
3	70000	60000								40000	3
3.5	68000	59000	47000							40000	3.5
4	66000	58000	47000							40000	4
4.5	62000	55000	46000	40000						40000	4.5
5	56000	51000	44000	40000						40000	5
5.5	52000	47000	42000	38000	37000					40000	5.5
6	48000	44000	41000	37000	36000					40000	6
6.5	42600	40000	39000	36000	35000	30000				40000	6.5
7	37000	36100	35500	35000	34000	29000				38000	7
7.5	32300	31600	31100	32400	33000	28000				34000	7.5
8	28600	28000	27500	28700	29700	27000	22500			30300	8
9	23000	22400	21900	23100	24000	24600	21500	20000		24600	9
10		18400	17900	19100	19900	20400	21000	19000	14300	20400	10
11		15300	14900	16000	16700	17300	17800	18000	14000	17300	11
12		12900	12500	13500	14300	14800	15300	15600	13500	14800	12
14			8900	9900	10600	11100	11600	11900	12200		14
16			6400	7400	8100	8600	9000	9300	9600		16
18			4500	5500	6200	6700	7100	7400	7600		18
20				4100	4700	5200	5600	5900	6200		20
22				2900	3600	4100	4500	4800	5000		22
24					2700	3100	3500	3800	4000		24
26					1900	2300	2700	3000	3200		26
28						1700	2100	2300	2600		28
30						1100	1500	1800	2000		30
32							1000	1300	1500		32
34								900	1100		34
36											36
38											38
40											40
42											42
44											44
46											46
Telescoping status 伸缩模式											
Cylinder I 一号缸	0%	50%	100%	100%	100%	100%	100%	100%	100%	0%	Cylinder I 一号缸
Cylinder II 二号缸	0%	0%	0%	16.5%	33%	50%	67%	84%	100%	16.5%	Cylinder II 二号缸
Rope rate 钢丝绳倍率	12	10	7	6	5	4	3	3	3	6	Rope rate 钢丝绳倍率

Load Chart-Telescopic Boom 主臂性能表



Unit: kg

Radius (m) 幅度	22.1	26.8	31.5	36.3	40.7	22.1	26.7	31.4	36.2	40.9	45.3	Radius (m) 幅度
3												3
3.5	38000					40000						3.5
4	38000					40000	38000					4
4.5	38000	35000				40000	38000					4.5
5	38000	35000				40000	38000	35000				5
5.5	38000	35000	26000			40000	38000	35000				5.5
6	38000	35000	26000			40000	38000	35000				6
6.5	38000	35000	26000			40000	37000	34000				6.5
7	38000	35000	26000	21000		37000	36500	33000	26000			7
7.5	34800	35000	26000	21000		33000	34000	32000	25500			7.5
8	31100	31700	25000	21000	18000	29300	30200	30900	25000	20500		8
9	25300	26000	24000	20000	17500	23600	24500	25200	24500	20000	17500	9
10	21200	21700	21800	18600	17000	19500	20400	21000	21500	19500	17000	10
11	18000	18500	18900	17500	16200	16400	17200	17800	18300	18600	16000	11
12	15500	16000	16400	16200	15500	14000	14800	15300	15800	16100	15500	12
14	11800	12300	12700	12900	13100	10300	11100	11700	12100	12400	12600	14
16	9200	9700	10100	10300	10500	7800	8500	9100	9500	9800	10000	16
18	7300	7800	8100	8400	8600	5900	6700	7200	7600	7800	8100	18
20		6300	6600	6900	7100		5200	5700	6100	6400	6600	20
22		5100	5500	5700	5900		4000	4500	4900	5200	5400	22
24			4500	4700	4900			3600	3900	4200	4400	24
26			3700	3900	4100			2800	3200	3400	3600	26
28				3300	3400				2500	2800	3000	28
30				2700	2900				1900	2200	2400	30
32					2400					1700	1900	32
34					1900					1300	1500	34
36											1100	36
38												38
40												40
42												42
44												44
46												46
Telescoping status 伸缩模式												
Cylinder I 一号缸	0%	0%	0%	0%	0%	50%	50%	50%	50%	50%	50%	Cylinder I 一号缸
Cylinder II 二号缸	33%	50%	67%	84%	100%	16.5%	33%	50%	67%	84%	100%	Cylinder II 二号缸
Rope rate 钢丝绳倍率	5	5	4	3	3	6	5	5	4	3	3	Rope rate 钢丝绳倍率

Load Chart-Telescopic Boom 主臂性能表



Unit: kg

Radius (m) 幅度	12.9	17.5	22.2	26.8	31.3	36.1	40.8	45.5	50	17.5	Radius (m) 幅度
3	70000	60000								40000	3
3.5	68000	59000	47000							40000	3.5
4	66000	58000	47000							40000	4
4.5	62000	55000	46000	40000						40000	4.5
5	54000	51000	44000	40000						40000	5
5.5	50000	47000	42000	38000	37000					40000	5.5
6	41900	40800	40200	37000	36000					40000	6
6.5	35600	34600	34000	35500	35000	30000				37200	6.5
7	30700	29800	29300	30700	31700	29000				32300	7
7.5	26700	26000	25500	26800	27700	28000				28400	7.5
8	23500	22900	22400	23700	24600	25200	22500			25200	8
9	18700	18100	17700	18900	19700	20300	20900	20000		20300	9
10		14700	14200	15400	16200	16700	17300	17600	14300	16700	10
11		12000	11600	12700	13500	14000	14500	14900	14000	14000	11
12		9900	9500	10600	11400	11900	12400	12700	13000	11900	12
14			6500	7500	8200	8700	9200	9500	9800		14
16			4400	5400	6000	6500	7000	7300	7500		16
18			2800	3800	4400	4900	5300	5600	5900		18
20				2500	3200	3600	4100	4400	4600		20
22				1500	2200	2600	3100	3300	3600		22
24					1400	1800	2200	2500	2700		24
26						1200	1600	1800	2100		26
28							1000	1300	1500		28
30								800	1000		30
32											32
34											34
36											36
38											38
40											40
42											42
44											44
46											46
Telescoping status 伸缩模式											
Cylinder I 一号缸	0%	50%	100%	100%	100%	100%	100%	100%	100%	0%	Cylinder I 一号缸
Cylinder II 二号缸	0%	0%	0%	16.5%	33%	50%	67%	84%	100%	16.5%	Cylinder II 二号缸
Rope rate 钢丝绳倍率	12	10	7	6	5	4	3	3	3	6	Rope rate 钢丝绳倍率

Load Chart-Telescopic Boom 主臂性能表



Unit: kg

Radius (m) 幅度	22.1	26.8	31.5	36.3	40.7	22.1	26.7	31.4	36.2	40.9	45.3	Radius (m) 幅度
3												3
3.5	38000					40000						3.5
4	38000					40000	38000					4
4.5	38000	35000				40000	38000					4.5
5	38000	35000				40000	38000	35000				5
5.5	38000	35000	26000			40000	38000	35000				5.5
6	38000	35000	26000			40000	38000	35000				6
6.5	38000	35000	26000			36100	37000	34000				6.5
7	33200	33900	26000	21000		31200	32300	33000	26000			7
7.5	29200	29900	26000	21000		27300	28300	29100	25500			7.5
8	26000	26600	25000	21000	18000	24200	25200	25900	25000	20500		8
9	21000	21700	22100	20000	17500	19400	20300	20900	21400	20000	17500	9
10	17400	18000	18500	18600	17000	15800	16700	17300	17800	18100	17000	10
11	14700	15300	15700	16000	16200	13200	14000	14600	15000	15400	15600	11
12	12600	13100	13500	13800	14000	11000	11900	12400	12900	13200	13400	12
14	9400	9900	10300	10500	10700	7900	8700	9300	9700	10000	10200	14
16	7200	7700	8000	8300	8500	5800	6500	7000	7400	7700	8000	16
18	5500	6000	6400	6600	6800	4100	4900	5400	5800	6100	6300	18
20		4700	5100	5300	5500		3600	4100	4500	4800	5000	20
22		3700	4100	4300	4500		2600	3100	3500	3800	4000	22
24			3200	3500	3600			2300	2700	2900	3200	24
26			2500	2800	2900			1600	2000	2300	2500	26
28				2200	2400				1400	1700	1900	28
30				1700	1900				900	1200	1400	30
32					1400					800	1000	32
34					1100							34
36												36
38												38
40												40
42												42
44												44
46												46
Telescoping status 伸缩模式												
Cylinder I 一号缸	0%	0%	0%	0%	0%	50%	50%	50%	50%	50%	50%	Cylinder I 一号缸
Cylinder II 二号缸	33%	50%	67%	84%	100%	16.5%	33%	50%	67%	84%	100%	Cylinder II 二号缸
Rope rate 钢丝绳倍率	5	5	4	3	3	6	5	5	4	3	3	Rope rate 钢丝绳倍率

Load Chart-Telescopic Boom 主臂性能表



Unit: kg

Radius (m) 幅度	12.9	17.5	22.2	26.8	31.3	36.1	40.8	45.5	50	17.5	Radius (m) 幅度
3	70000	60000								40000	3
3.5	68000	59000	47000							40000	3.5
4	64000	58000	47000							40000	4
4.5	56000	53000	46000	40000						40000	4.5
5	48000	45000	42000	40000						40000	5
5.5	42400	41300	40000	38000	37000					40000	5.5
6	35100	34100	33500	35100	36000					36900	6
6.5	29700	28700	28100	29600	30700	30000				31300	6.5
7	25500	24600	24000	25500	26400	27100				27100	7
7.5	22000	21300	20800	22100	23100	23700				23700	7.5
8	19300	18600	18100	19400	20300	21000	21600			20900	8
9	15100	14600	14100	15300	16100	16700	17300	17700		16700	9
10		11600	11100	12300	13100	13600	14200	14500	14300	13600	10
11		9300	8900	10000	10800	11300	11800	12200	12400	11300	11
12		7500	7100	8200	8900	9500	9900	10300	10500	9400	12
14			4500	5500	6200	6700	7200	7500	7800		14
16			2700	3700	4300	4800	5300	5600	5800		16
18			1300	2300	2900	3400	3800	4200	4400		18
20				1200	1900	2300	2700	3000	3300		20
22					1000	1500	1900	2200	2400		22
24						800	1200	1500	1700		24
26								900	1100		26
28											28
30											30
32											32
34											34
36											36
38											38
40											40
42											42
44											44
46											46
Telescoping status 伸缩模式											
Cylinder I 一号缸	0%	50%	100%	100%	100%	100%	100%	100%	100%	0%	Cylinder I 一号缸
Cylinder II 二号缸	0%	0%	0%	16.5%	33%	50%	67%	84%	100%	16.5%	Cylinder II 二号缸
Rope rate 钢丝绳倍率	12	10	7	6	5	4	3	3	3	6	Rope rate 钢丝绳倍率

Load Chart-Telescopic Boom 主臂性能表



Unit: kg

Radius (m) 幅度	22.1	26.8	31.5	36.3	40.7	22.1	26.7	31.4	36.2	40.9	45.3	Radius (m) 幅度
3												3
3.5	38000					40000						3.5
4	38000					40000	38000					4
4.5	38000	35000				40000	38000					4.5
5	38000	35000				40000	38000	35000				5
5.5	38000	35000	26000			40000	38000	35000				5.5
6	37900	35000	26000			35700	36900	35000				6
6.5	32300	33100	26000			30200	31300	32200				6.5
7	28000	28700	26000	21000		26000	27100	27800	26000			7
7.5	24500	25200	25700	21000		22700	23700	24400	24900			7.5
8	21700	22400	22900	21000	18000	19900	20900	21600	22100	20500		8
9	17500	18100	18500	18900	17500	15800	16700	17300	17800	18200	17500	9
10	14400	15000	15400	15700	15900	12700	13600	14200	14700	15000	15300	10
11	12000	12600	13000	13300	13500	10400	11300	11900	12300	12600	12900	11
12	10100	10700	11100	11400	11600	8600	9400	10000	10400	10800	11000	12
14	7400	7900	8300	8500	8700	5900	6700	7300	7700	8000	8200	14
16	5500	6000	6300	6600	6800	4100	4800	5300	5700	6000	6300	16
18	4000	4500	4900	5100	5300	2700	3400	3900	4300	4600	4800	18
20		3400	3800	4000	4200		2300	2800	3200	3500	3700	20
22		2500	2900	3100	3300		1400	2000	2300	2600	2800	22
24			2200	2400	2600			1200	1600	1900	2100	24
26			1600	1800	2000				1000	1300	1500	26
28				1300	1500					800	1000	28
30				900	1000							30
32												32
34												34
36												36
38												38
40												40
42												42
44												44
46												46
Telescoping status 伸缩模式												
Cylinder I 一号缸	0%	0%	0%	0%	0%	50%	50%	50%	50%	50%	50%	Cylinder I 一号缸
Cylinder II 二号缸	33%	50%	67%	84%	100%	16.5%	33%	50%	67%	84%	100%	Cylinder II 二号缸
Rope rate 钢丝绳倍率	5	5	4	3	3	6	5	5	4	3	3	Rope rate 钢丝绳倍率

Load Chart-Telescopic Boom 主臂性能表



Unit: kg

Radius (m) 幅度	12.9	17.5	22.2	26.8	31.3	36.1	40.8	45.5	50	17.5	Radius (m) 幅度
3	70000	60000								40000	3
3.5	68000	59000	47000							40000	3.5
4	63000	58000	47000							40000	4
4.5	55000	52000	46000	40000						40000	4.5
5	47000	44000	41000	40000						40000	5
5.5	40800	39700	39100	38000	37000					40000	5.5
6	33800	32700	32100	33700	34800					35500	6
6.5	28500	27500	27000	28500	29500	30000				30200	6.5
7	24500	23500	23000	24400	25400	26100				26000	7
7.5	21100	20400	19900	21200	22100	22800				22700	7.5
8	18400	17800	17300	18600	19500	20100	20700			20100	8
9	14400	13800	13400	14600	15400	16000	16600	17000		16000	9
10		11000	10500	11700	12500	13000	13500	13900	14200	13000	10
11		8800	8300	9400	10200	10800	11300	11600	11900	10700	11
12		7000	6600	7700	8400	9000	9400	9800	10100	9000	12
14			4100	5100	5800	6300	6800	7100	7400		14
16			2300	3300	4000	4500	4900	5200	5500		16
18			1000	2000	2600	3100	3500	3900	4100		18
20				900	1600	2100	2500	2800	3000		20
22					800	1200	1600	1900	2200		22
24							1000	1200	1500		24
26									900		26
28											28
30											30
32											32
34											34
36											36
38											38
40											40
42											42
44											44
46											46
Telescoping status 伸缩模式											
Cylinder I 一号缸	0%	50%	100%	100%	100%	100%	100%	100%	100%	0%	Cylinder I 一号缸
Cylinder II 二号缸	0%	0%	0%	16.5%	33%	50%	67%	84%	100%	16.5%	Cylinder II 二号缸
Rope rate 钢丝绳倍率	12	10	7	6	5	4	3	3	3	6	Rope rate 钢丝绳倍率

Load Chart-Telescopic Boom 主臂性能表



Unit: kg

Radius (m) 幅度	22.1	26.8	31.5	36.3	40.7	22.1	26.7	31.4	36.2	40.9	45.3	Radius (m) 幅度
3												3
3.5	38000					40000						3.5
4	38000					40000	38000					4
4.5	38000	35000				40000	38000					4.5
5	38000	35000				40000	38000	35000				5
5.5	38000	35000	26000			40000	38000	35000				5.5
6	36500	35000	26000			34300	35500	35000				6
6.5	31100	31900	26000			29000	30200	31000				6.5
7	26900	27700	26000	21000		25000	26000	26800	26000			7
7.5	23600	24300	24800	21000		21700	22700	23500	24000			7.5
8	20900	21600	22000	21000	18000	19100	20100	20800	21300	20500		8
9	16800	17400	17800	18100	17500	15100	16000	16600	17100	17500	17500	9
10	13700	14300	14800	15100	15300	12100	13000	13600	14100	14400	14700	10
11	11400	12000	12400	12700	12900	9900	10700	11300	11800	12100	12400	11
12	9600	10200	10600	10900	11100	8100	8900	9500	9900	10300	10500	12
14	7000	7500	7900	8100	8300	5500	6300	6900	7300	7600	7800	14
16	5100	5600	6000	6200	6400	3700	4500	5000	5400	5700	5900	16
18	3700	4200	4600	4800	5000	2400	3100	3600	4000	4300	4500	18
20		3200	3500	3700	3900		2000	2600	2900	3200	3400	20
22		2300	2600	2900	3100		1200	1700	2100	2400	2600	22
24			1900	2200	2400			1000	1400	1700	1900	24
26			1400	1600	1800				800	1100	1300	26
28				1100	1300						800	28
30					900							30
32												32
34												34
36												36
38												38
40												40
42												42
44												44
46												46
Telescoping status 伸缩模式												
Cylinder I 一号缸	0%	0%	0%	0%	0%	50%	50%	50%	50%	50%	50%	Cylinder I 一号缸
Cylinder II 二号缸	33%	50%	67%	84%	100%	16.5%	33%	50%	67%	84%	100%	Cylinder II 二号缸
Rope rate 钢丝绳倍率	5	5	4	3	3	6	5	5	4	3	3	Rope rate 钢丝绳倍率

Load Chart-Telescopic Boom 主臂性能表



Unit: kg

Radius (m) 幅度	12.9	17.5	22.2	26.8	31.3	36.1	40.8	45.5	50	17.5	Radius (m) 幅度
3	70000	60000								40000	3
3.5	68000	59000	47000							40000	3.5
4	63000	58000	47000							40000	4
4.5	53000	50000	46000	40000						40000	4.5
5	41100	39800	39100	40000						40000	5
5.5	32700	31600	30900	32700	33900					34600	5.5
6	26800	25800	25200	26800	27900					28600	6
6.5	22400	21500	20900	22400	23400	24200				24100	6.5
7	19100	18100	17600	19000	20000	20700				20600	7
7.5	16400	15500	15000	16300	17300	17900				17900	7.5
8	14200	13400	12900	14100	15000	15700	16300			15600	8
9	10800	10100	9600	10800	11600	12200	12800	13200		12200	9
10		7700	7200	8400	9200	9700	10300	10600	10900	9700	10
11		5800	5400	6500	7300	7800	8300	8700	9000	7800	11
12		4400	4000	5100	5800	6300	6800	7200	7400	6300	12
14			1900	2900	3600	4100	4600	4900	5200		14
16				1400	2100	2600	3000	3300	3600		16
18					1000	1400	1900	2200	2400		18
20							1000	1300	1500		20
22									800		22
24											24
26											26
28											28
30											30
32											32
34											34
36											36
38											38
40											40
42											42
44											44
46											46
Telescoping status 伸缩模式											
Cylinder I 一号缸	0%	50%	100%	100%	100%	100%	100%	100%	100%	0%	Cylinder I 一号缸
Cylinder II 二号缸	0%	0%	0%	16.5%	33%	50%	67%	84%	100%	16.5%	Cylinder II 二号缸
Rope rate 钢丝绳倍率	12	10	7	6	5	4	3	3	3	6	Rope rate 钢丝绳倍率

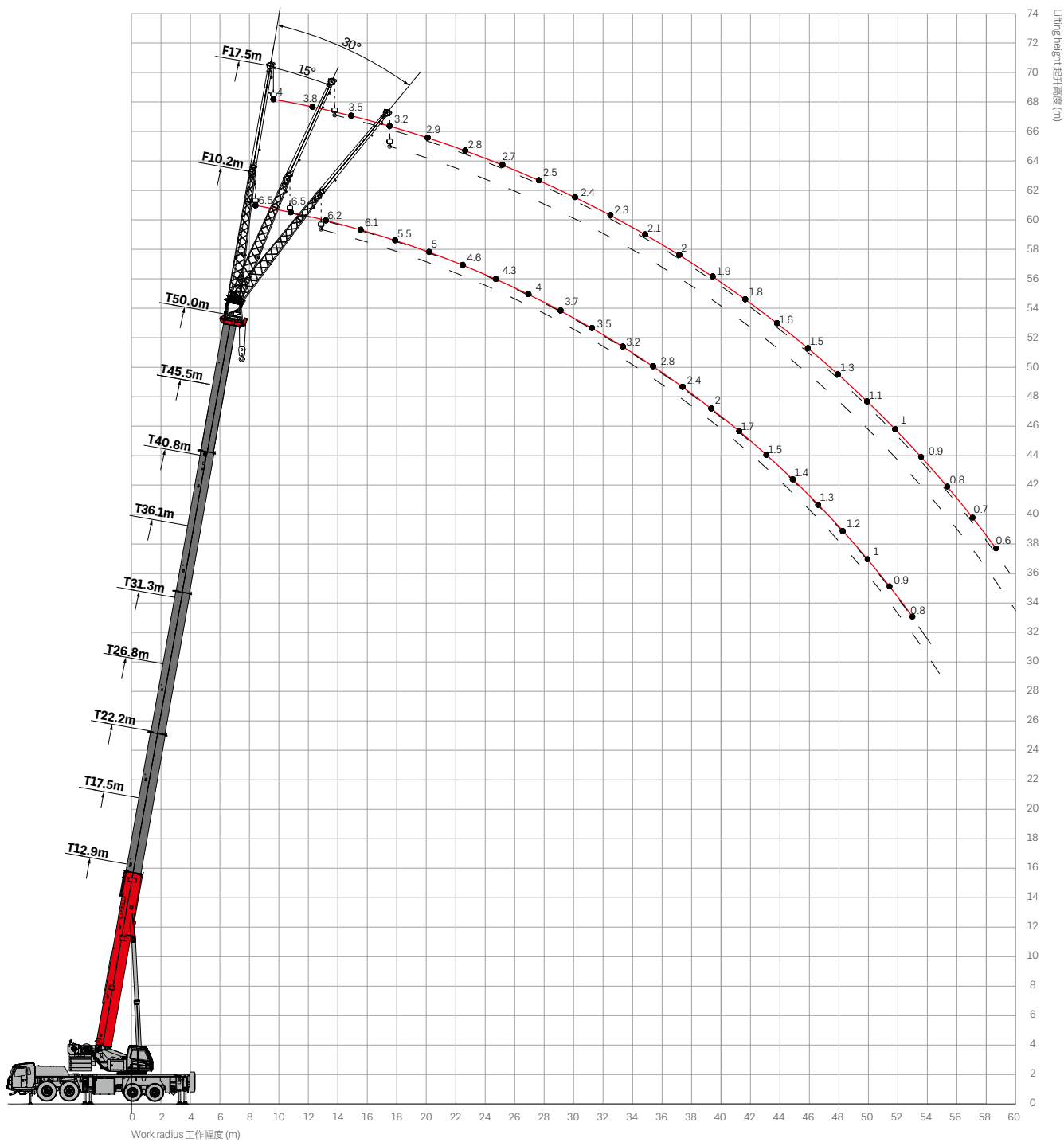
Load Chart-Telescopic Boom 主臂性能表



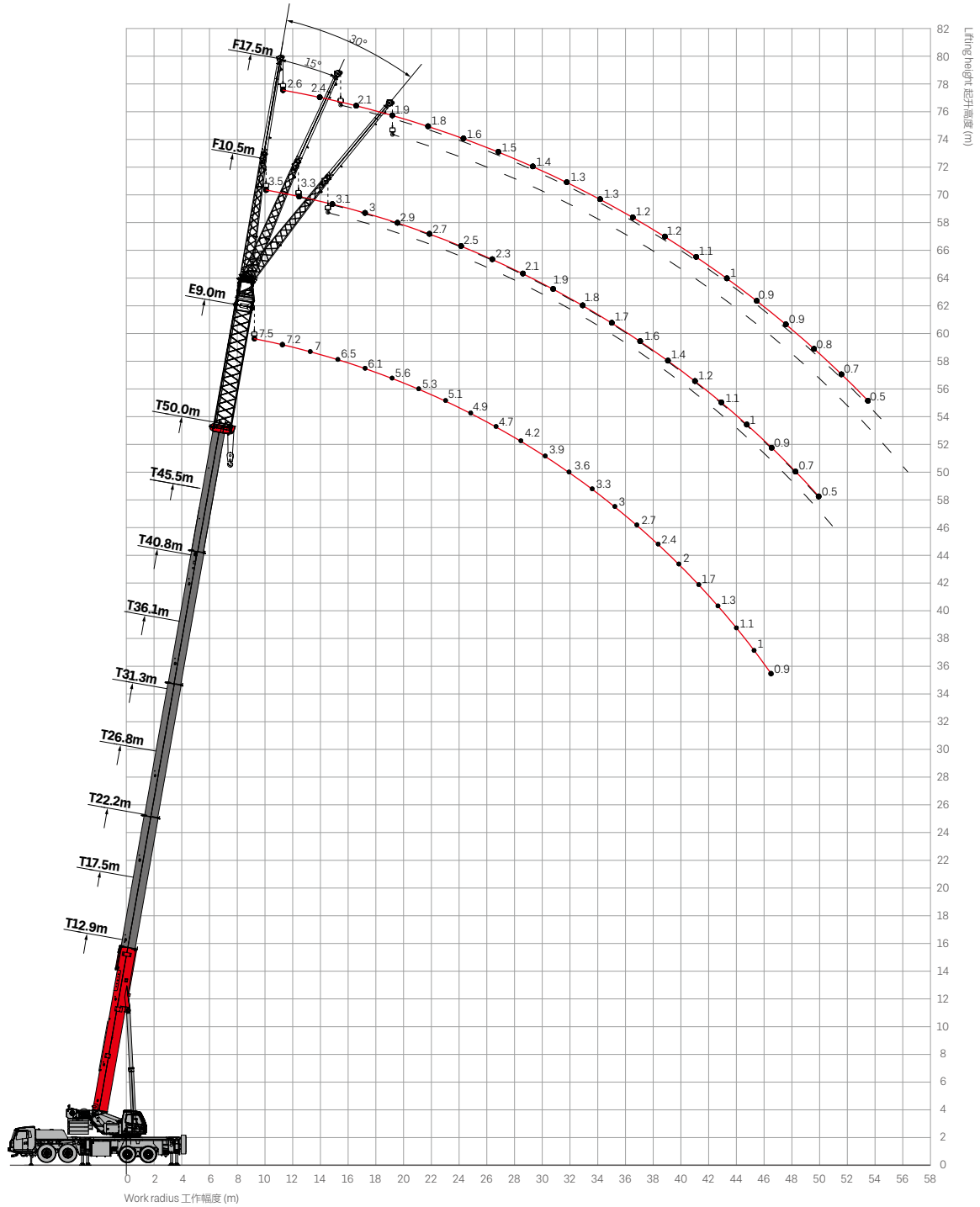
Unit: kg

Radius (m) 幅度	22.1	26.8	31.5	36.3	40.7	22.1	26.7	31.4	36.2	40.9	45.3	Radius (m) 幅度
3												3
3.5	38000					40000						3.5
4	38000					40000	38000					4
4.5	38000	35000				40000	38000					4.5
5	38000	35000				40000	38000	35000				5
5.5	35700	35000	26000			33300	34600	35000				5.5
6	29600	30400	26000			27400	28600	29500				6
6.5	25000	25800	26000			23000	24100	24900				6.5
7	21500	22200	22800	21000		19600	20600	21400	22000			7
7.5	18700	19400	19900	20300		16900	17900	18600	19100			7.5
8	16500	17100	17600	17900	18000	14700	15600	16300	16800	17200		8
9	13000	13600	14000	14400	14600	11300	12200	12900	13300	13700	14000	9
10	10500	11000	11500	11800	12000	8800	9700	10300	10800	11100	11400	10
11	8500	9100	9500	9800	10000	7000	7800	8400	8800	9200	9400	11
12	7000	7600	8000	8200	8400	5500	6300	6900	7300	7600	7900	12
14	4800	5300	5700	5900	6100	3300	4100	4700	5100	5400	5600	14
16	3200	3700	4100	4300	4500	1800	2600	3100	3500	3800	4000	16
18	2100	2600	2900	3200	3300		1400	1900	2300	2600	2800	18
20		1700	2000	2200	2400			1000	1400	1700	1900	20
22		900	1300	1500	1700					1000	1200	22
24				900	1100							24
26												26
28												28
30												30
32												32
34												34
36												36
38												38
40												40
42												42
44												44
46												46
Telescoping status 伸缩模式												
Cylinder I 一号缸	0%	0%	0%	0%	0%	50%	50%	50%	50%	50%	50%	Cylinder I 一号缸
Cylinder II 二号缸	33%	50%	67%	84%	100%	16.5%	33%	50%	67%	84%	100%	Cylinder II 二号缸
Rope rate 钢丝绳倍率	5	5	4	3	3	6	5	5	4	3	3	Rope rate 钢丝绳倍率

Operating Range - Jib 副臂起升高度



Operating Range - Jib with Extension 副臂+延伸臂起升高度



Load Chart-Jib 副臂性能表

Optional 选配



Unit: kg

Boom angle (°) 主臂仰角	50+10.2			50+17.5			50+9*	50+9.5*+10.2			50+9.5*+17.5			Boom angle (°) 主臂仰角
	0°	15°	30°	0°	15°	30°	0°	0°	15°	30°	0°	15°	30°	
80	6500	5000	4000	4000	2500	1800	7500	3500	2800	2200	2600	1600	1400	80
78	6500	5000	3900	3800	2400	1700	7200	3300	2600	2100	2400	1500	1300	78
76	6200	4800	3800	3500	2300	1700	7000	3100	2500	2000	2100	1400	1200	76
74	6100	4500	3700	3200	2200	1600	6500	3000	2400	1900	1900	1300	1100	74
72	5500	4200	3600	2900	2100	1600	6100	2900	2300	1900	1800	1200	1100	72
70	5000	4000	3500	2800	2000	1600	5600	2700	2200	1800	1600	1200	1100	70
68	4600	3800	3400	2700	1900	1500	5300	2500	2000	1700	1500	1200	1000	68
66	4300	3600	3200	2500	1900	1500	5100	2300	1900	1600	1400	1100	1000	66
64	4000	3400	3100	2400	1800	1500	4900	2100	1800	1600	1300	1100	1000	64
62	3700	3200	2900	2300	1700	1400	4700	1900	1700	1500	1300	1100	900	62
60	3400	3000	2700	2100	1700	1400	4300	1800	1600	1400	1200	1000	900	60
58	3200	2800	2500	2000	1600	1400	4000	1700	1500	1300	1200	1000	800	58
56	3000	2600	2400	1900	1600	1300	3700	1600	1400	1200	1100	1000	800	56
54	2700	2400	2200	1800	1500	1200	3400	1500	1300	1100	1000	900	700	54
52	2400	2200	2000	1700	1400	1200	3100	1400	1200	1100	900	900	700	52
50	2200	1900	1800	1600	1300	1100	2800	1300	1100	1000	900	900	700	50
48	2000	1800	1600	1500	1200	1100	2500	1200	1100	1000	900	800	700	48
46	1800	1600	1500	1400	1200	1100	2200	1100	1000	900	800	700	600	46
44	1600	1500	1400	1300	1100	1000	2000	1000	900	900	800	700	600	44
42	1500	1400	1300	1200	1100	1000	1800	900	800	800	700	600	600	42
40	1400	1300	1200	1100	1000	900	1600	800	700	700	600	500	500	40
38	1200	1100	1100	1000	900	900	1400							38
36	1100	1000	1000	900	800	800	1200							36
Rope rate 钢丝绳倍率	1													Rope rate 钢丝绳倍率

* Optional 选配

Load Chart-Jib 副臂性能表



Unit: kg

Boom angle (°) 主臂仰角	50+10.2			50+17.5			50+9*	50+9.5*+10.2			50+9.5*+17.5			Boom angle (°) 主臂仰角
	0°	15°	30°	0°	15°	30°	0°	0°	15°	30°	0°	15°	30°	
80	6500	5000	4000	4000	2500	1800	7500	3500	2800	2200	2600	1600	1400	80
78	6500	5000	3900	3800	2400	1700	7200	3300	2600	2100	2400	1500	1300	78
76	6200	4800	3800	3500	2300	1700	7000	3100	2500	2000	2100	1400	1200	76
74	6100	4500	3700	3200	2200	1600	6500	3000	2400	1900	1900	1300	1100	74
72	5500	4200	3600	2900	2100	1600	6100	2900	2300	1900	1800	1200	1100	72
70	5000	4000	3500	2800	2000	1600	5600	2700	2200	1800	1600	1200	1100	70
68	4600	3800	3400	2700	1900	1500	5300	2500	2000	1700	1500	1200	1000	68
66	4300	3600	3200	2500	1900	1500	5100	2300	1900	1600	1400	1100	1000	66
64	4000	3400	3100	2400	1800	1500	4900	2100	1800	1600	1300	1100	1000	64
62	3700	3200	2900	2300	1700	1400	4700	1900	1700	1500	1300	1100	900	62
60	3500	3000	2700	2100	1700	1400	4200	1800	1600	1400	1200	1000	900	60
58	3200	2700	2500	2000	1600	1400	3900	1700	1500	1300	1200	1000	800	58
56	2800	2400	2300	1900	1600	1300	3600	1600	1400	1200	1100	1000	800	56
54	2400	2200	2100	1800	1500	1200	3300	1400	1200	1100	1000	900	700	54
52	2000	1900	1800	1600	1400	1200	3000	1200	1100	1100	900	900	700	52
50	1700	1600	1500	1500	1300	1100	2700	1100	1000	1000	900	800	700	50
48	1500	1400	1300	1300	1200	1100	2400	1000	900	900	800	700	600	48
46	1400	1300	1200	1100	1000	1000	2000	900	800	800	700	600	600	46
44	1300	1200	1100	1000	900	900	1700	700	600	600	500			44
42	1200	1100	1000	900	800	800	1300	500						42
40	1000	900	900	800	700	700	1100							40
38	900	800	800	700	600	600	1000							38
36	800	700	700	600	500	500	900							36
Rope rate 钢丝绳倍率	1													Rope rate 钢丝绳倍率

* Optional 选配

Load Chart-Jib 副臂性能表



Unit: kg

Boom angle (°) 主臂仰角	50+10.2			50+17.5			50+9*	50+9.5*+10.2			50+9.5*+17.5			Boom angle (°) 主臂仰角
	0°	15°	30°	0°	15°	30°	0°	0°	15°	30°	0°	15°	30°	
80	6500	5000	4000	4000	2500	1800	7500	3500	2800	2200	2600	1600	1400	80
78	6500	5000	3900	3800	2400	1700	7200	3300	2600	2100	2400	1500	1300	78
76	6200	4800	3800	3500	2300	1700	7000	3100	2500	2000	2100	1400	1200	76
74	6100	4500	3700	3200	2200	1600	6500	3000	2400	1900	1900	1300	1100	74
72	5500	4200	3600	2900	2100	1600	6100	2900	2300	1900	1800	1200	1100	72
70	5000	4000	3500	2800	2000	1600	5600	2700	2200	1800	1600	1200	1100	70
68	4600	3800	3400	2700	1900	1500	5300	2500	2000	1700	1500	1200	1000	68
66	4300	3600	3200	2500	1900	1500	5100	2300	1900	1600	1400	1100	1000	66
64	4000	3400	3100	2400	1800	1500	4900	2100	1800	1600	1300	1100	1000	64
62	3700	3200	2900	2300	1700	1400	4700	1900	1700	1500	1300	1100	900	62
60	3500	3000	2700	2100	1700	1400	4100	1800	1600	1400	1200	1000	900	60
58	3200	2700	2500	2000	1600	1400	3600	1700	1500	1300	1200	1000	800	58
56	2800	2400	2300	1900	1600	1300	3000	1300	1200	1100	1000	900	800	56
54	2400	2200	2100	1800	1500	1200	2600	1000	900	900	800	700	600	54
52	2000	1900	1800	1600	1400	1200	2300	800	700	700	600	500	500	52
50	1700	1600	1500	1400	1300	1100	2000	600	500	500	500			50
48	1400	1300	1200	1100	1000	900	1700	500						48
46	1100	1000	900	800	700	700	1400							46
44	900	800	700	600	500	500	1100							44
42	700	600	600	500			900							42
40	600	500	500				700							40
38	500						600							38
36							500							36
Rope rate 钢丝绳倍率	1													Rope rate 钢丝绳倍率

* Optional 选配

Load Chart-Jib 副臂性能表



Unit: kg

Boom angle (°) 主臂仰角	50+10.2			50+17.5			50+9*	50+9.5*+10.2			50+9.5*+17.5			Boom angle (°) 主臂仰角
	0°	15°	30°	0°	15°	30°	0°	0°	15°	30°	0°	15°	30°	
80	6500	5000	4000	4000	2500	1800	7000	3500	2800	2200	2600	1600	1400	80
78	6500	5000	3900	3800	2400	1700	7000	3300	2600	2100	2400	1500	1300	78
76	6200	4800	3800	3500	2300	1700	7000	3100	2500	2000	2100	1400	1200	76
74	6100	4500	3700	3200	2200	1600	6500	3000	2400	1900	1900	1300	1100	74
72	5500	4200	3600	2900	2100	1600	6100	2900	2300	1900	1800	1200	1100	72
70	5000	4000	3500	2800	2000	1600	5600	2700	2200	1800	1600	1200	1100	70
68	4600	3800	3400	2700	1900	1500	5300	2500	2000	1700	1500	1200	1000	68
66	4300	3600	3200	2500	1900	1500	5100	2300	1900	1600	1400	1100	1000	66
64	3800	3400	3100	2400	1800	1500	4300	2100	1800	1600	1300	1100	1000	64
62	3100	3000	2800	2300	1700	1400	3500	1800	1600	1400	1300	1100	900	62
60	2600	2500	2300	2100	1700	1400	2900	1400	1200	1200	1100	1000	800	60
58	2100	2000	1900	1800	1600	1400	2400	1000	900	900	800	700	600	58
56	1700	1600	1500	1400	1300	1200	2000	700	600	600	600	500	500	56
54	1400	1300	1200	1100	1000	900	1700	500						54
52	1100	1000	1000	900	800	700	1300							52
50	900	800	800	700	600	500	1000							50
48	700	600	600	500			800							48
46	500						600							46
44														44
42														42
40														40
38														38
36														36
Rope rate 钢丝绳倍率	1													Rope rate 钢丝绳倍率

* Optional 选配

Load Chart-Jib 副臂性能表



Unit: kg

Boom angle (°) 主臂仰角	50+10.2			50+17.5			50+9*	50+9.5*+10.2			50+9.5*+17.5			Boom angle (°) 主臂仰角
	0°	15°	30°	0°	15°	30°	0°	0°	15°	30°	0°	15°	30°	
80	6500	5000	4000	4000	2500	1800	7000	3500	2800	2200	2600	1600	1400	80
78	6500	5000	3900	3800	2400	1700	7000	3300	2600	2100	2400	1500	1300	78
76	6200	4800	3800	3500	2300	1700	7000	3100	2500	2000	2100	1400	1200	76
74	6100	4500	3700	3200	2200	1600	6500	3000	2400	1900	1900	1300	1100	74
72	5500	4200	3600	2900	2100	1600	6100	2900	2300	1900	1800	1200	1100	72
70	5000	4000	3500	2800	2000	1600	5600	2700	2200	1800	1600	1200	1100	70
68	4600	3800	3400	2700	1900	1500	5300	2500	2000	1700	1500	1200	1000	68
66	4300	3600	3200	2500	1900	1500	5100	2300	1900	1600	1400	1100	1000	66
64	3800	3400	3100	2400	1800	1500	4200	2000	1800	1600	1300	1100	1000	64
62	3100	3000	2700	2300	1700	1400	3400	1700	1500	1300	1300	1000	900	62
60	2500	2400	2200	2100	1700	1400	2800	1200	1200	1000	1000	800	700	60
58	2000	1900	1800	1700	1400	1300	2300	900	800	700	700	600	600	58
56	1600	1500	1400	1300	1100	1000	1900	600	500	500	500			56
54	1200	1100	1000	900	800	700	1600	500						54
52	900	800	800	700	600	500	1200							52
50	700	600	600	500			900							50
48	500						600							48
46							500							46
44														44
42														42
40														40
38														38
36														36
Rope rate 钢丝绳倍率	1													Rope rate 钢丝绳倍率

* Optional 选配

Load Chart-Jib 副臂性能表



Unit: kg

Boom angle (°) 主臂仰角	50+10.2			50+17.5			50+9*	50+9.5*+10.2			50+9.5*+17.5			Boom angle (°) 主臂仰角
	0°	15°	30°	0°	15°	30°	0°	0°	15°	30°	0°	15°	30°	
80	6500	5000	4000	4000	2500	1800	7000	3500	2800	2200	2600	1600	1400	80
78	6500	5000	3900	3800	2400	1700	7000	3300	2600	2100	2400	1500	1300	78
76	6200	4800	3800	3500	2300	1700	7000	3100	2500	2000	2100	1400	1200	76
74	6100	4500	3700	3200	2200	1600	6500	3000	2400	1900	1900	1300	1100	74
72	5500	4200	3600	2900	2100	1600	6100	2900	2300	1900	1800	1200	1100	72
70	5000	4000	3500	2800	2000	1600	5600	2700	2200	1800	1600	1200	1100	70
68	4200	3800	3400	2700	1900	1500	4600	2000	1900	1700	1500	1200	1000	68
66	3400	3000	2800	2500	1900	1500	3600	1500	1400	1300	1100	1000	900	66
64	2700	2400	2300	2200	1700	1500	2800	1100	1000	900	800	700	700	64
62	2100	1900	1800	1700	1300	1200	2200	800	700	700	600	500	500	62
60	1600	1500	1300	1200	1000	900	1700	600	500	500				60
58	1100	1000	900	800	700	600	1200							58
56	800	700	600	500			900							56
54	500						600							54
52							500							52
50														50
48														48
46														46
44														44
42														42
40														40
38														38
36														36
Rope rate 钢丝绳倍率	1													Rope rate 钢丝绳倍率

*Optional 选配

Safety guidelines 安全说明

1	<p>The total rated loads given in the rated load charts are the maximum lifting capacity when the crane is set up on firm and level ground, which includes the weight of the hook block and slings. The weight of above-mentioned devices should be deducted from the rated lifting load.</p>	<p>表中额定总起重量值，是在平整的坚固地面上本起重机能够保证的最大总起重量，包括吊钩和吊具的重量，所以为了估算重物重量，必须减去上述的装置重量。</p>
2	<p>The working radius shown in the rated load charts is the radius when the load is lifted off the ground, and it is the actual value including loaded boom deflection. Take boom deflection into consideration before beginning a lifting operation.</p>	<p>表中的工作幅度为起吊重物离地时起重物到起重机回转轴线的水平距离，是包括起重臂变形量在内的实际值，因而起吊前应考虑起重臂变形量。</p>
3	<p>Regarding wind speed limit, lifting operation is permissible under the load charts request: 0-32 km/h (0-20mph): Normal lifting operations 33-47 km/h (21-29mph): 40% 48 km/h (30mph) or greater: Crane operation must be shutdown</p>	<p>只允许在性能表中风速要求下作业： 瞬时风速 0-32km/h：正常吊载 瞬时风速 33-47km/h：将吊载重量降低至性能表载荷的 40% 瞬时风速 48km/h 以上：禁止吊载</p>
4	<p>Before beginning lifting operation, the operator should know the weight of the load to be lifted and its working range, and then select proper working conditions. Never operate the crane beyond the limit shown in the chart. Use the lower value from the chart when the boom length or working radius is between the range of values.</p>	<p>吊重前操作者必须对物体的重量和工作范围了解后选择合适的作业工况，严禁超出表中的数值。幅度及臂长在相邻两个数值之间时，应依据两个数值中较小值确定起重作业。</p>
5	<p>Observe the boom angle limit. Never operate the crane with the boom angle beyond the recommended limit even if a load is not being carried. Otherwise, the crane will tip.</p>	<p>应按主臂仰角范围作业，即使是空载，也不应使主臂仰角处于范围外，谨防整机倾翻。</p>
6	<p>The boom should be extended according to the telescoping code shown by digits, which means the percentage of boom sections extended.</p>	<p>表中的主臂长度应要按照每节臂的伸缩要求进行伸出。</p>



SANY GROUP CRANE BU

SANY Mobile Crane Industrial Park, No.168 Jinzhou Avenue, Jinzhou Development Zone, Changsha City,
Hunan Province, P.R. China Zip 410600
Consulting sanycrane@sanygroup.com (Crane BU) / crd@sany.com.cn (IHQ)
After-sales Service 0086-400 6098 318

Reminder:

Any change in the technical parameters and configuration due to product modification or upgrade may occur without prior notice. The machine in the picture may include additional equipment. This brochure is for reference only, and goods in kind shall prevail.

Copyright at SANY. No part of this brochure may be copied or used for any purpose without written approval from SANY.

© Edited in July 2022

三一集团起重事业部

中国湖南长沙金洲开发区金洲大道 168 号 三一汽车起重机产业园 邮编: 410600
咨询: sanycrane@sanygroup.com (起重事业部) / crd@sany.com.cn (国际总部)
海外售后服务: 0086-400 6098 318

温馨提示:

由于技术不断更新, 技术参数及配置如有更改, 恕不另行通知。图中机器可能包括附加设备, 本画册仅供参考, 以实物为准。
版权为三一所有, 未经三一书面许可, 本画册任何内容不得被复制用于任何目的。

© 2022 年 7 月版

