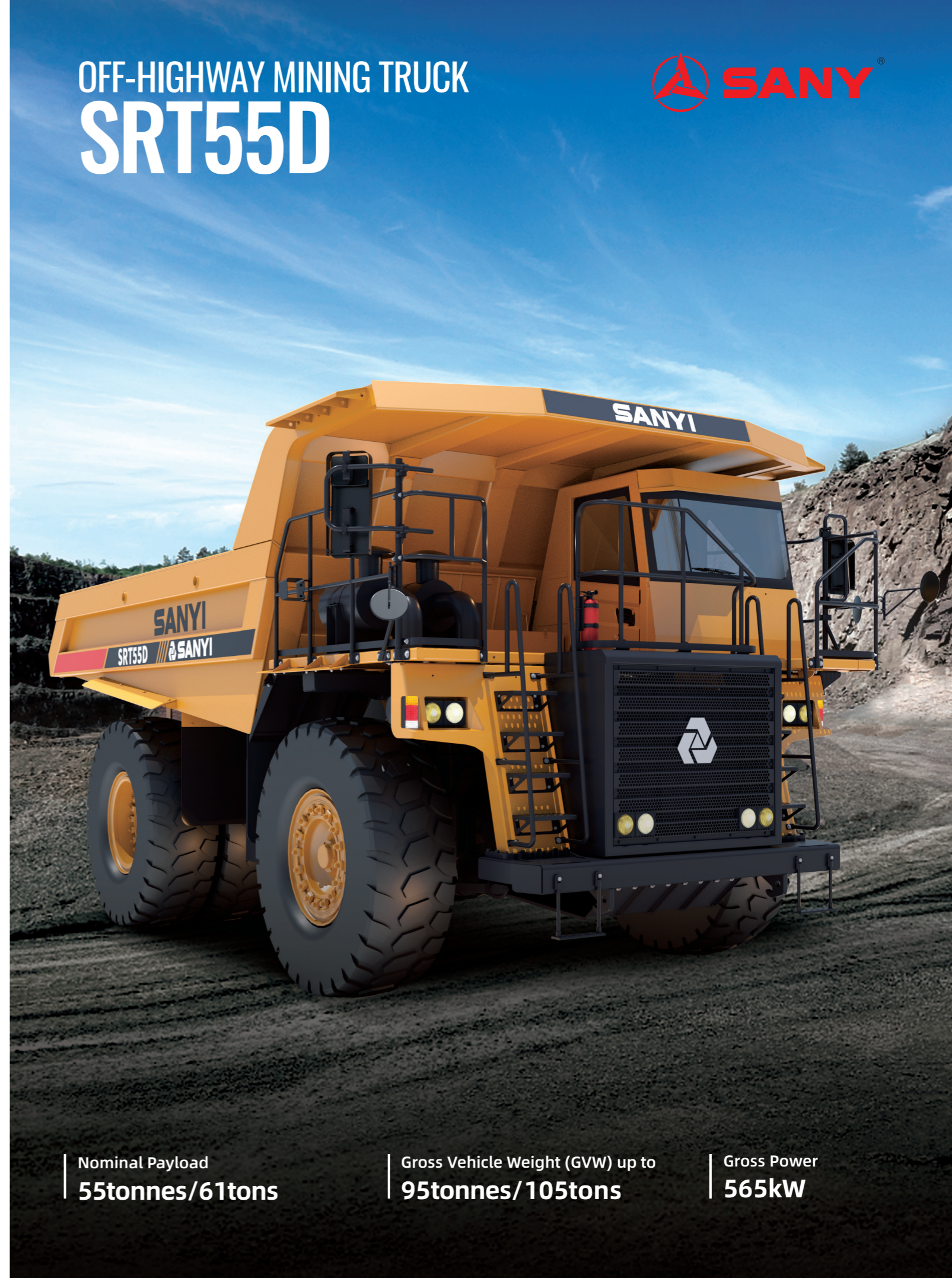


OFF-HIGHWAY MINING TRUCK SRT55D

Optional Equipment	Note
Heating type body	Engine exhaust gas heating structure
Low-temperature start-up system	Suitable for extremely low temperature regions
Enlarged body	Suitable for lighter weight material
Heavy-duty body	Suitable for heavier weight material
Wear-resistant truck body liners	Suitable for very abrasive material
Automatic fire extinguishing system	Automatic fire extinguishing for engine
Automatic lubrication system	For regular grease filling in a specified amount
Automatic weighing system	Real-time loaded weight monitoring
Tire pressure monitoring system	Realtime tire pressure and temperature monitoring



SANY HEAVY EQUIPMENT CO., LTD

Address: 16 Kaifa Road, Economic & Technological Development Zone,
Shenyang, Liaoning Province, P.R.China.
Postal Code: 110027
Official Website: www.sanyglobal.com
E-mail: crd@sany.com.cn
Customer Service Hotline | Tel: 0086 - 400 6098 318

Reminder:
Any change in the technical parameters and configuration due to product modification or upgrade may occur without prior notice. The machine in the picture may include additional equipment. This brochure is for reference only, and goods in kind shall prevail. Copyright at SANY. No part of this brochure may be copied or used for any purpose without written approval from SANY.



Nominal Payload
55tonnes/61tons

Gross Vehicle Weight (GVW) up to
95tonnes/105tons

Gross Power
565kW

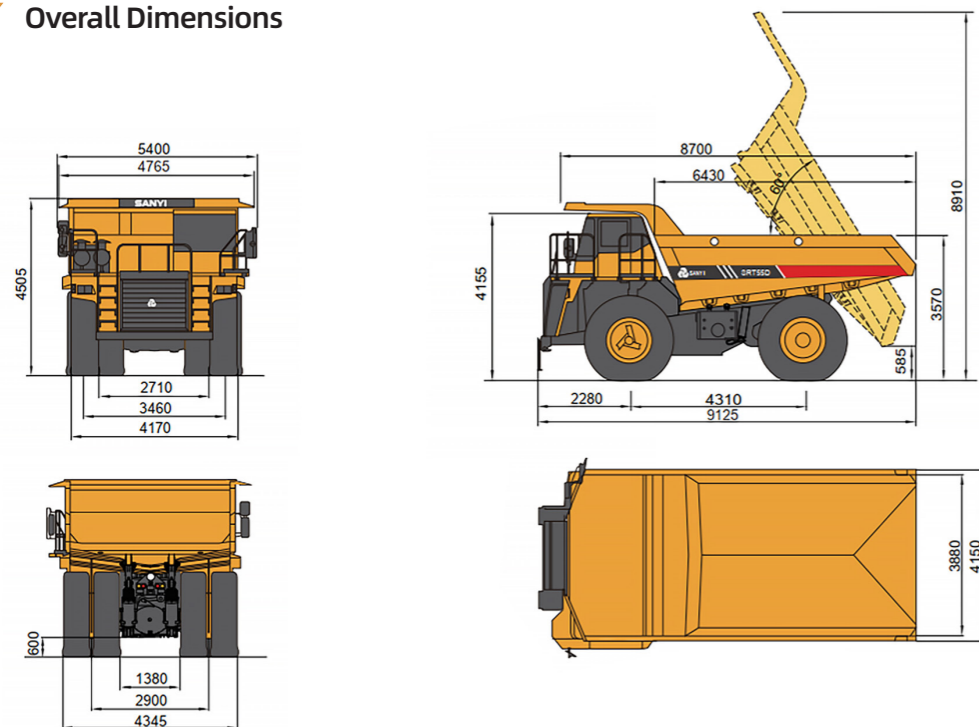
Technical Data

Overall Parameters	Unit	Value
Overall dimensions: L x W x H	mm/in	9,155x5,400x4,505(11,080) 360x213x177(436)
Wheelbase	mm/in	4,310/170
Front track width	mm/in	3,460/136
Rear track width	mm/in	2,710/107
Ground clearance	mm/in	600/24
Max. steering angle of front wheels	°	40
Min. steering radius	mm/in	9,540/376
Gross power	kW/hp	565/758
Max. speed	km/h/ mph	56/35
Max. Gradeability	%	30
Struck SAE	m ³ /yd ³	26/34
Heaped SAE 2:1	m ³ /yd ³	35/46

Weight Distribution

Axle Capacity	Front Axle	Rear Axle
Unloaded	48%	52%
Loaded	34%	66%

Overall Dimensions



Dimension Unit:mm

* Dimensions may vary due to different configurations. The specific parameters are subject to actual conditions.

Fluid Capacities

Fluid Capacities	L
Engine crankcase and filter (engine oil)	48
Transmission and filter (automatic transmission exclusive oil)	85
Cooling system (antifreeze)	100
Fuel tank (diesel)	620
Steering hydraulic oil tank (hydraulic oil)	73
Steering hydraulic system · total (hydraulic oil)	76
Lift hydraulic oil tank (hydraulic oil)	239
Lift hydraulic and brake cooling system	258
Wheel rim reducer · total (gear oil)	45
Differential (gear oil)	50
Front suspension · each (hydraulic oil)	19x2
Rear suspension · each (hydraulic oil)	16x2

Weight Parameters

Item	kg	lb
Chassis, with hoists	30,000	66,000
Body, standard	10,000	22,000
Net weight	40,000	88,000
Rated payload	55,000	121,000
Max. gross weight	95,000	209,500

* The maximum gross vehicle weight (GVW) includes optional equipment, all accessories, fully filled fuel tank, loadings, etc; Overload will seriously deteriorate the lives of the components and the truck!

Main Configurations

Engine

- Model: Volvo TAD1643VE-B;
- Type: 4 cycle turbocharged charge air cooled;
- Gross power @1,900rpm: 565kW/768hp;
- Net power @1,900rpm: 525kW/714hp;
- Power ratings based on ISO 3046(ratings also correspond to SAE J1995 and SAE J1349 standard conditions).Exhaust emission EPA 40 CFR 89/Tier 2 compliant and EU97/68 EC/Stage IIIA compliant;
- Max. torque @1,260rpm: 3,260N.m(2,404lb · ft);
- Number of cylinders/configuration: 6, straight type;
- Bore stroke: Φ144mm x 165 mm /Φ5.66" x 6.27";
- Displacement: 16.1L.

Transmission

- H6620AR electronic automatic control transmission with flexible shift characteristics.HATS commercial electronic control system. Integrated hydraulic torque converter and hydraulic retarder. Six speeds forward, two reverse. Automatic lockup in all speed ranges. Transmission is provided with hydraulic retarder and hoist restrict shift protect function.

	Forward						Reverse	
	1st	2nd	3rd	4th	5th	6th	r1	r2
Ratio	4.0	2.68	2.01	1.35	1.0	0.67	5.15	3.46
Km/h	9.4	13.9	18.7	27.8	37.5	56	6.3	9.4
Mile/h	5.8	8.7	11.6	17.2	23.3	34.7	3.9	5.8

Brakes

- Service Brake: All hydraulic brake system control. Transmission PTO mounted pressure compensating piston pump provides hydraulic pressure for brakes and steering. Independent circuits front and rear.Each circuit incorporates an accumulator which stores energy to provide instant braking response;
- Front: Dry disc brake; Disc diameter 710 mm (28in);
- Pad area, total 1,400 cm² (217in²);
- Rear: Oil-cooled, disc brake, completely sealed from dirt and water;
- Braking surface, total 49,000 cm²(7,595in²);
- Parking Brake - Rear brakes applied by spring loaded opposing piston on disc pack, hydraulically released;
- Retarding Brake - Two levers separately control the rear disc brakes and hydraulic retarder in transmission;
- Emergency Brake - Through solenoid valve to provide service brakes and parking brake.

Steering

- Independent hydraulic steering with closed-center steering valve, pressure compensating piston pump and accumulator;
- Accumulator provides uniform steering regardless of engine speed. In the event of loss of engine power, it provides emergency power to system for steering. A low pressure indicator light warns of system pressure below 115bar (1,660 lbf/in²);
- Minimum turning diameter: 19,080mm.

Tires

- Tyre Model: 24.00R35 E-4;
- Under certain working conditions, TKPH(ton-Km/h) capabilities of standard tyres could be exceeded. Consult tyre manufacturers for optimum tyre selection.

Frame

- Box structure with variable-section provides resistance to bending and torsion;
- Mild steel used throughout bumper, front and rear longitudinal beams provides flexibility and resistance to impact loads. Low alloy cast-steel components are used in the high-stress areas for a higher strength and greater life frame.

Drive Axle

- Heavy duty axle with full floating axle shafts, single reduction spiral bevel gear differential, and planetary reduction at each wheel. High strength cast steel welded construction;
- Ratios: Differential: 3.73: 1
Planetary: 5.80: 1
Total Reduction: 21.63: 1.

Suspension

- Front: Macpherson type independent suspension with variable rate, nitrogen/oil cylinder for effective absorption of road shocks;
- Rear: Variable rate nitrogen/oil cylinders with A-frame linkage and lateral stabilizer bar;
- Maximum strut stroke: Front: 300 mm (11.8 in);
Rear: 186 mm (7.3 in);
- Maximum rear axle oscillation:±7°.

Hoist

- Independently hydraulic system.Two hoist cylinders are mounted on both sides of the frame rails to keep stable of body while raises the body;
- Body hydraulic pump flow rate @ 2,100 rpm engine:294L/min(77USgal/min);
- Lifting≤ 16s, Lowering≤ 15s.

Body

- The body is dual "V" structure which gives good load retention and a low centre of gravity. The bottom,side and front plates are constructed from high tensile strength abrasion-resistant steel; Thickness:Floor 20 mm, Side 10 mm, Front 10 mm;
- Struck (SAE std): 26m³ (34yd³);
- Heaped 2: 1 (SAE std): 35 m³(46 yd³).

Cab

- FOPS/ROPS certified. Equipped with integral four-pillar tipping protection design, adjustable cushioned seat, luxury upholstery, and tiltable and telescopic steering wheel to provide a comfortable operating space;
- The cab conforms to the requirements of ISO 3471. The cab provides a sound exposure Leq (equivalent sound level) of less than 78 dB(A) when tested with doors and windows closed.