

SPS 8000 STIFF BOOM CRANE

IDEAL LIFTING SOLUTION FOR 2 AXLE TRUCKS



TECHNICAL SPECIFICATIONS

Product Description

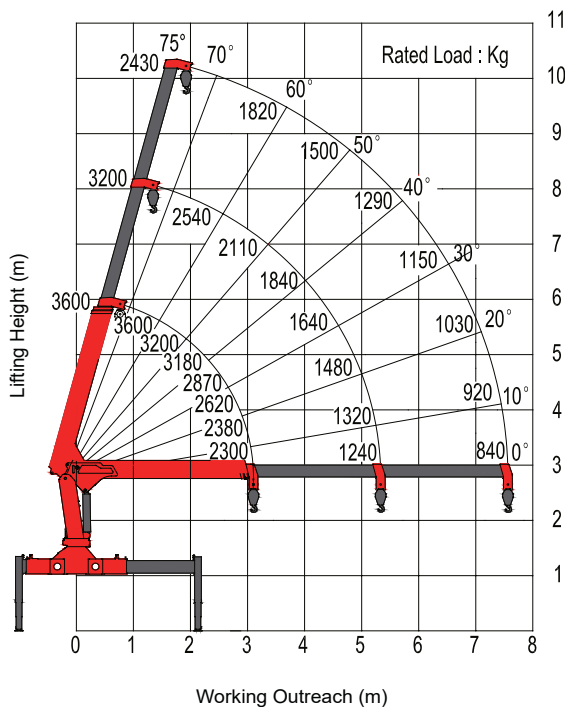
- SANY PALFINGER produces according to European Quality Standards to ensure reliability, performance and safety in the industry
- Extension system boom made of high tensile steel to optimize lifting height and working range
- The wide outrigger span ensures stability in all mounting situations
- High safety factor with greater reliability
- Piston pump option for reliability, efficiency, and extended lifetime
- Standard package includes
 - Emergency stop button
 - Working light
 - High pressure filter
 - Over-winding stop

Technical Data

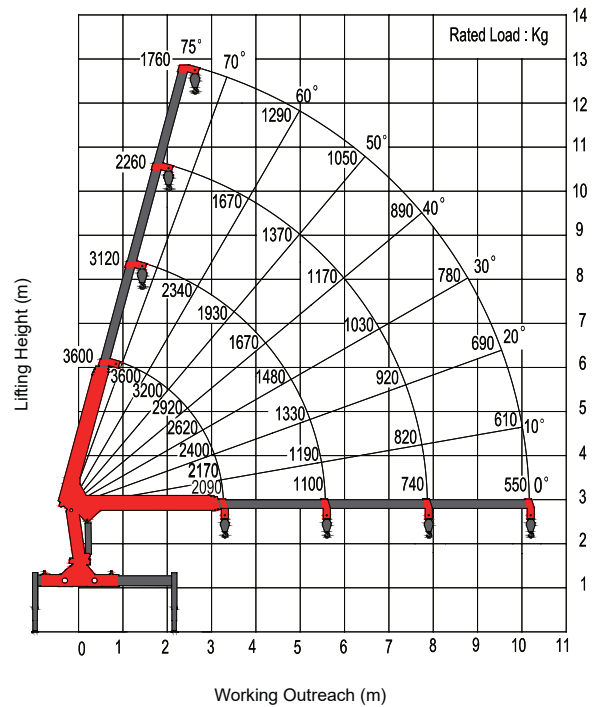
Basic Data	SPS 8000A	SPS 8000B
Rated Lifting Moment	8 mt	8 mt
Rated Lifting Capacity	3200 kg (2.5 m)	3200 kg (2.3m)
Max. outreach	7.8 m	10.2 m
Max. lines of the hook	4	4
Slewing angle	Continuous	Continuous
Boom raising angle	0 ~ 75°	0 ~ 75°
Max. lifting height (the measurement from the ground after the outriggers fully extended)	9.8 m	12.5 m
Length of the boom system (retracted)	3.4 m	3.5 m
Length of the boom system (fully extended)	8.0 m	10.4 m
Boom sections	3	4
Outrigger span (fully extended)	4400 (mm)	4400 (mm)
Recommended flow rate	30 - 40 L/min	30 - 40 L/min
Operating pressure	25 Mpa	25 Mpa
Recommended oil tank capacity	100 L	100 L
Crane moment (dynamic)	103.1 kNm 10.5mt	101.3 kNm 10.3mt
Torsional moment (dynamic)	8.4 kNm 0.9 mt	8.4 kNm 0.9 mt
Crane Weight	1200 kg (Floor Control)	1300 kg (Floor Control)

LIFTING CHART

SPS 8000A



SPS 8000B

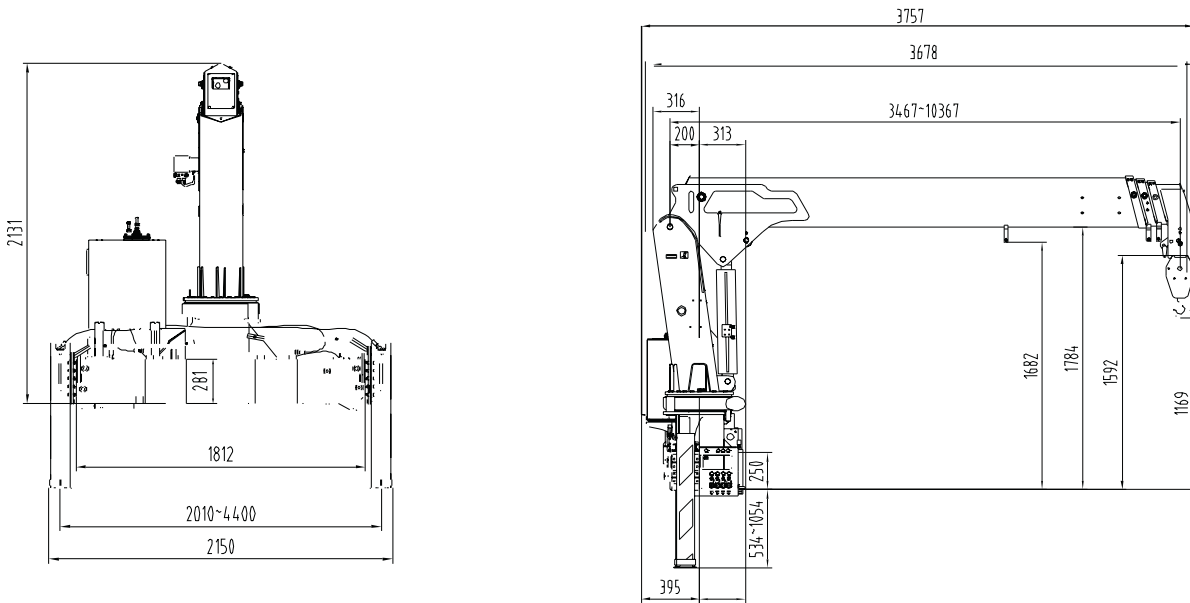


NOTE

The above lifting height and boom angles are based on a straight (unladen) boom. Allowance should be made for boom deflection under laden conditions. Lifting capacities must not exceed 85% of tipping load.

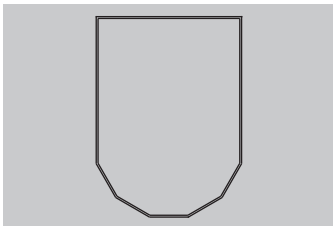
CRANE DIMENSION

SPS 8000B-F/L



*The actual product dimensions can vary depending on the operational equipment.

FEATURES & OPTIONS



Octagonal Boom Profile

- High strength and rigidity due to octagonal cross section



High Tensile Steel

- High Tensile Steel: HG785, SC960
- Able to withstand higher forces



Overload Protection System

- Built-in safety function
- Protects the crane against overloading



Working Light

- Safer operations in dusty and dark working conditions
- Optimal visibility for work



High Pressure Filter

- Ensures proper functionality and longer lifetime of crane



Proportional Hydraulic System

- Sensitive and stable controls for precise operation
- Operator is able to utilize multiple functions simultaneously



Load Indicator

- Provides operators with important information on possible overloading and lifting conditions

SANYPALFINGER SPV EQUIPMENT CO.,LTD
Huanghe Road 189,Rudong Economic Development Zone
226499,Nantong,China
T: 4008-835-318
www.sanypalfinger.com

Cranes shown in the leaflet are partially optional equipped and do not always correspond to the standard version. Country-specific regulations must be observed. Dimensions may vary. Subject to technical changes, errors and translation mistakes.

