

# SPS 30000 STIFF BOOM CRANE

IDEAL LIFTING SOLUTION FOR 3 AXLE TRUCKS



# TECHNICAL SPECIFICATIONS

## Product Description

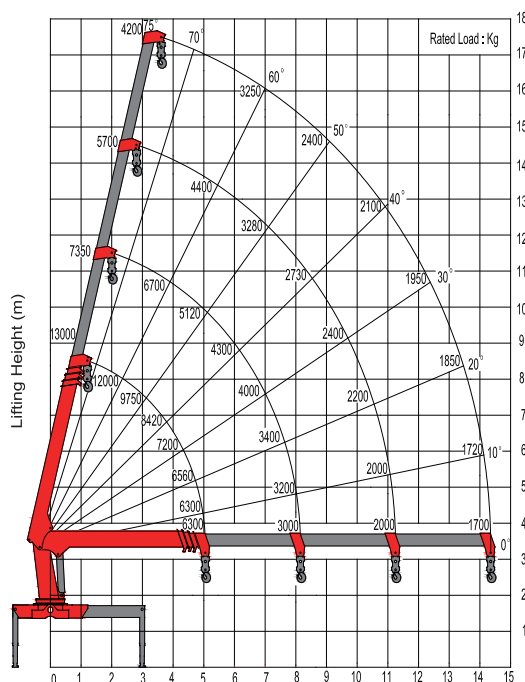
- SANY PALFINGER produces according to European Quality Standards to ensure reliability, performance and safety in the industry
- High tensile strength extension booms to optimize lifting height and working range
- The wide outrigger span ensures stability in all mounting situations
- High safety factor with greater reliability
- Piston pump option for reliability, efficiency, and extended lifetime
- Standard package includes
  - Emergency stop button
  - Working light
  - High pressure filter
  - Over-winding stop

## Technical Data

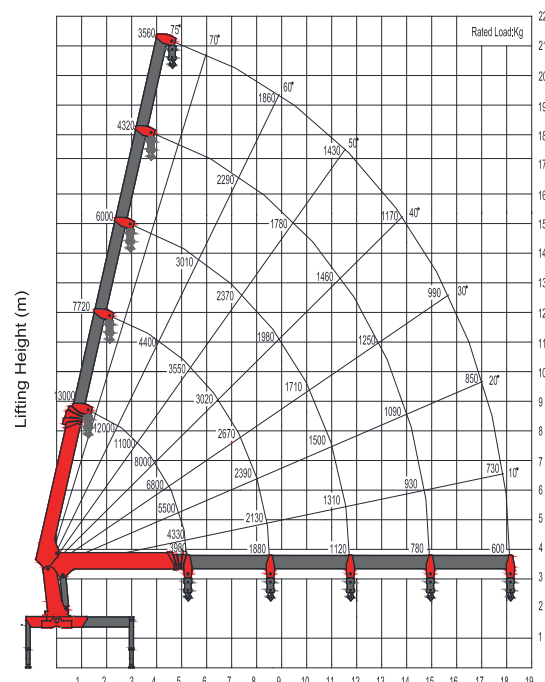
| Basic Data  | SPS 30000B                                     | SPS 30000C                                     |
|---|--|--|
| Rated Lifting Moment  | 30 mt  | 30 mt  |
| Rated lifting capacity  | 12000 kg (2.5 m)                               | 12000 kg (2.5m)                                |
| Max. outreach   | 14.5 m   | 18.1 m   |
| Max. lines of the hook  | 6  | 6  |
| Slewing angle   | Continuous                                     | Continuous                                     |
| Boom raising angle  | 0 ~ 75°  | 0 ~ 75°  |
| Max. lifting height (the measurement from the ground after the outriggers fully extended) | 16.5 m   | 20.5m  |
| Length of the boom system (retracted)   | 5.4 m  | 5.6m   |
| Length of the boom system (fully extended)  | 14.8 m   | 18.5 m   |
| Boom sections   | 4  | 5  |
| Outrigger span (fully extended)   | 6000 (mm)                                      | 6000 (mm)                                      |
| Recommended Flow Rate   | 60 ~ 90 L/min                                  | 60 ~ 90 L/min                                  |
| Operating pressure  | 30 Mpa   | 30 Mpa   |
| Recommended oil tank capacity   | 200 L  | 200 L  |
| Crane moment (dynamic)  | 507.3 kNm<br>51.7 mt                           | 507.3 kNm<br>51.7 mt                           |
| Torsional moment (dynamic)  | 30.0 kNm<br>3.1 mt                             | 30.0 kNm<br>3.1 mt                             |
| Crane Weight  | 4200 kg (Floor Control)<br>4200 kg (High Seat) | 4650 kg (Floor Control)<br>4650 kg (High Seat) |

# LIFTING CHART

SPS 30000B



SPS 30000C



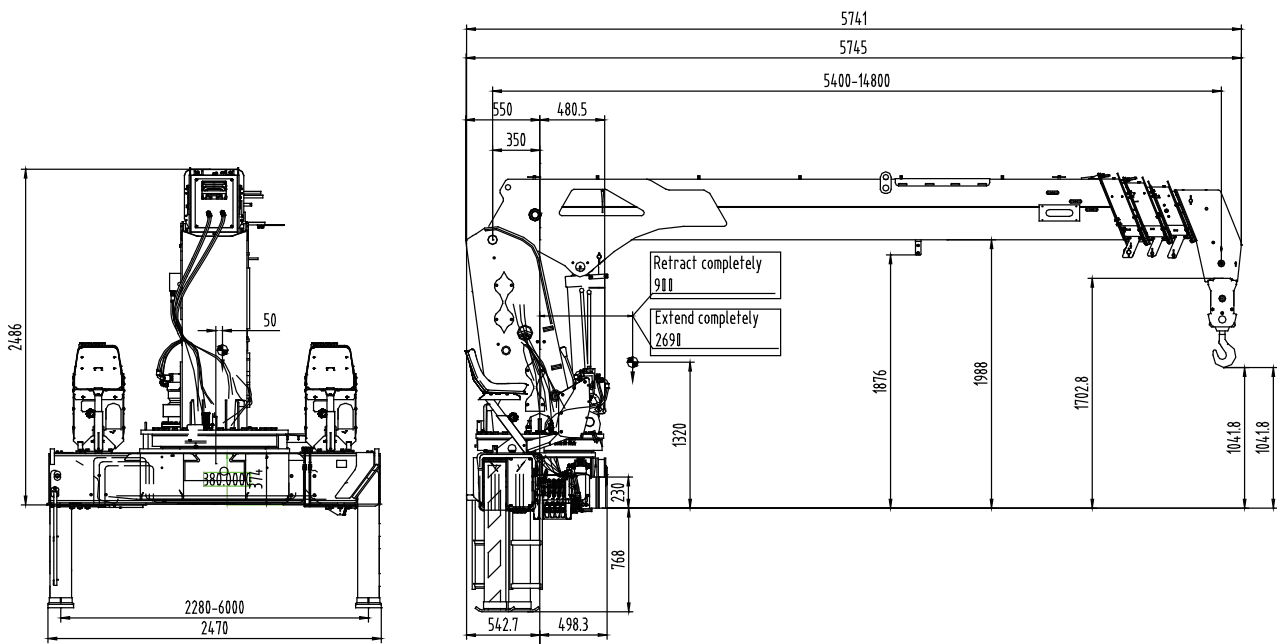
NOTE

The above lifting height and boom angles are based on a straight (unladen) boom. Allowance should be made for boom deflection under laden conditions. Lifting capacities must not exceed 85% of tipping load.



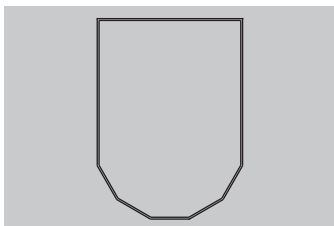
# CRANE DIMENSION

SPS 3000B-F/L



\*The actual product dimensions can vary depending on the operational equipment.

# FEATURES & OPTIONS



## Octagonal Boom Profile

- High strength and rigidity due to octagonal cross section



## High Tensile Steel

- High Tensile Steel: HG785, SC960
- Able to withstand higher forces



## Overload Protection System

- Built-in safety function
- Protects the crane against overloading



## Working Light

- Safer operations in dusty and dark working conditions
- Optimal visibility for work



## High Pressure Filter

- Ensures proper functionality and longer lifetime of crane



## Proportional Hydraulic System

- Sensitive and stable controls for precise operation
- Operator is able to utilize multiple functions simultaneously



## Load Indicator

- Provides operators with important information on possible overloading and lifting conditions



## Two Speed Winch

- Designed to maximize efficiency
- The winch rope speed can be doubled when the load carried is less than half of the maximum load

SANYPALFINGER SPV EQUIPMENT CO.,LTD  
Huanghe Road 189,Rudong Economic Development Zone  
226499,Nantong,China  
T: 4008-835-318  
[www.sanypalfinger.com](http://www.sanypalfinger.com)

Cranes shown in the leaflet are partially optional equipped and do not always correspond to the standard version. Country-specific regulations must be observed. Dimensions may vary. Subject to technical changes, errors and translation mistakes.

