

SPS 20000 STIFF BOOM CRANE

IDEAL LIFTING SOLUTION FOR 2 & 3 AXLE TRUCKS



TECHNICAL SPECIFICATIONS

Product Description

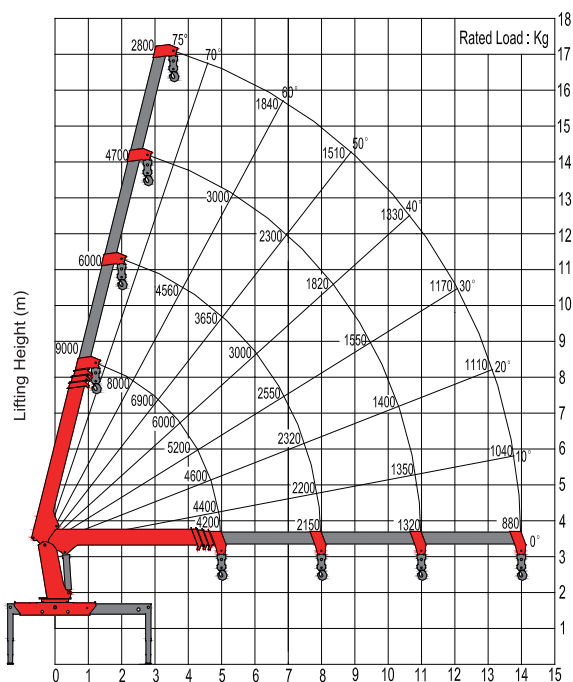
- SANY PALFINGER produces according to European Quality Standards to ensure reliability, performance and safety in the industry
- High tensile strength extension booms to optimize lifting height and working range
- The wide outrigger span ensures stability in all mounting situations
- High safety factor with greater reliability
- Standard package includes
 - Emergency stop button
 - Working light
 - High pressure filter
 - Over-winding stop

Technical Data

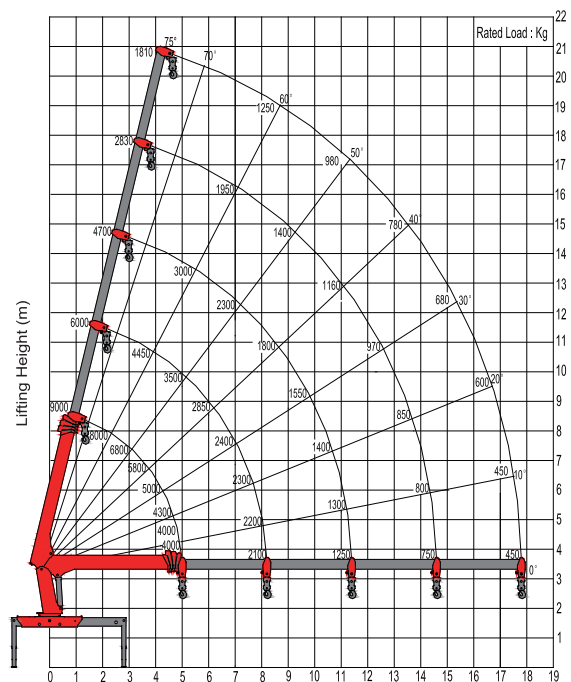
| Basic Data | SPS 20000B | SPS 20000C |
|---|--|--|
| Rated lifting moment | 20 mt | 20 mt |
| Rated lifting capacity | 8000 kg (2.5 m) | 8000 kg (2.5 m) |
| Max. outreach | 14.0 m | 17.7 m |
| Max. lines of the hook | 4 | 4 |
| Slewing angle | Continuous | Continuous |
| Boom raising angle | 0 ~ 75° | 0 ~ 75° |
| Max. lifting height (the measurement from the ground after the outriggers fully extended) | 16.1 m | 20.1 m |
| Length of the boom system (retracted) | 5.3 m | 5.3 m |
| Length of the boom system (fully extended) | 14.3 m | 18.1 m |
| Boom sections | 4 | 5 |
| Outrigger span (fully extended) | 5600 (mm) | 5600 (mm) |
| Recommended flow rate | 45 ~ 70 L/min | 45 ~ 70 L/min |
| Operating pressure | 31 Mpa | 31 Mpa |
| Recommended oil tank capacity | 200 L | 200 L |
| Crane moment (dynamic) | 334.3 kNm 34.1 mt | 350.2 kNm 35.7 mt |
| Torsional moment (dynamic) | 21.0 kNm 2.1 mt | 21.0 kNm 2.1 mt |
| Crane weight | 3820 kg (Floor control) 3850 kg (High seat) | 4110 kg (Floor control) 4130 kg (High seat) |

LIFTING CHART

SPS 20000B



SPS 20000C

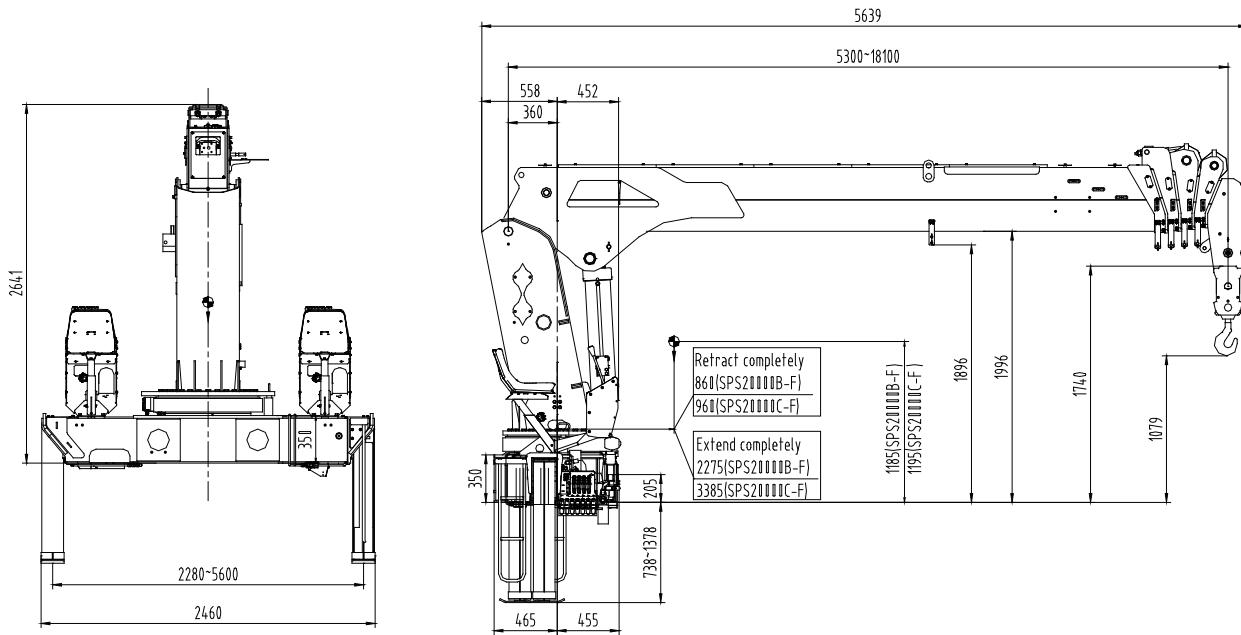


NOTE

The above lifting height and boom angles are based on a straight (unladen) boom. Allowance should be made for boom deflection under laden conditions. Lifting capacities must not exceed 85% of tipping load.

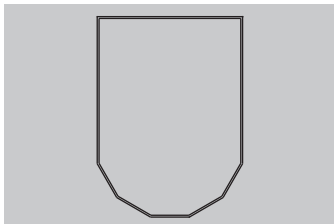
CRANE DIMENSION

SPS 2000C-F



*The actual product dimensions can vary depending on the operational equipment.

FEATURES & OPTIONS



Octagonal Boom Profile

- High strength and rigidity due to octagonal cross section



High Tensile Steel

- High Tensile Steel: HG785, SC960
- Able to withstand higher forces



Overload Protection System

- Built-in safety function
- Protects the crane against overloading



Working Light

- Safer operations in dusty and dark working conditions
- Optimal visibility for work



High Pressure Filter

- Ensures proper functionality and longer lifetime of crane



Proportional Hydraulic System

- Sensitive and stable controls for precise operation
- Operator is able to utilize multiple functions simultaneously



Load Indicator

- Provides operators with important information on possible overloading and lifting conditions



Two Speed Winch

- Designed to maximize efficiency
- The winch rope speed can be doubled when the load carried is less than half of the maximum load

SANYPALFINGER SPV EQUIPMENT CO.,LTD
Huanghe Road 189,Rudong Economic Development Zone
226499,Nantong,China
T: 4008-835-318
www.sanypalfinger.com

Cranes shown in the leaflet are partially optional equipped and do not always correspond to the standard version. Country-specific regulations must be observed. Dimensions may vary. Subject to technical changes, errors and translation mistakes.

