



SCC12500A

Crawler Crane

Quality Changes the World



Max. lifting moment: 17000t · m
Max. boom length: 108m
Max. luffing jib combination: 108m+114m

The parameters, pictures and standard/optional equipment are only for reference in this brochure, the actual machine is based on the effective price list and contract.

■ www.sanyglobal.com

V1.1



Crawler Crane Series
SCC12500A

P03

Main Characteristics

- Product specifications
- Safety device

P10

Technical Parameters

- Main performance parameters
- Basic dimensions of overall crane
- Transportation dimensions
- Assembly procedure

P24

Configurations

- Configurations
- H Configuration
- HDB Configuration
- HJ Configuration
- HJDB Configuration
- LJ Configuration
- LJDB Configuration
- HJFJDB Configuration



SCC12500A SANY CRAWLER CRANE

QUALITY CHANGES THE WORLD

Main Characteristics

- Page 04 Product specifications
- Page 08 Safety device

Product Specification



Appearance

- The industrial modeling of the cab is designed by Porsche. It has a smooth, elegant and novel appearance, which is a significant breakthrough when compared with traditional engineering machinery and has excellent brand identification. The cab has a sliding door structure, which is suitable for the crawler crane and convenient for the operator. It is adopted with fully-sealed steel frame structure with a large area of high strength toughened glass installed on the front, side and top, transmitting more light. The interior space of the cab is spacious and bright, with a broader sight view.

Comfort

- It is adopted with shock absorption, noise reduction, suspended, multi-mode and multi-stage adjustable seat, thus providing the operator with the most comfortable driving experience. The famous USA RedDot air conditioner is adopted, ensuring more reasonable air outlet and efficient cooling. It takes no more than 20 min to cool the cab from 55°C to 27.5°C. The left and right consoles are equipped with control handles, control buttons, ignition locks and other elements. The seats, control handles and control buttons are arranged according to ergonomic design, fully considering the driver's operation demands and habits. The control box can be adjusted to the most suitable position with the seat to ensure more comfortable operation. The cab can tilt up to 15° according to the work demands, and can also rotate to the front part of the rotating bed for the convenience of transport.

Carbody

- The hydraulic cylinder driving power pin is connected with the crawler frame for easy assembly and disassembly. The high-strength steel welded frame structure is adopted. Larger carbody design significantly improves the stability of the overall crane. The carbody counterweight is 90t, 45t each at front and back.

Crawler assembly

- Crawler frames: Each crawler frame is equipped with independent traveling driving devices. The planetary gear reducer is driven by the hydraulic traveling motor, and independent traveling is realized through the transmission of the driving gear. The driving system has two speed positions, namely high speed and low speed: The low speed can provide sufficient traction force to realize 100% travel with load; the high speed can provide higher speed to improve the transit efficiency. The traveling drive can also realize stepless speed change.
- Track shoe: It is made of materials with high strength and high wear resistance through advanced casting process. After being installed on the equipment, its tension can be adjusted through the hydraulic cylinder, and the shim position can be adjusted to achieve the ideal tension.

One-key leveling of outriggers

- With the machine gravity calculated in real time, the outrigger balance is detected by the cylinder pressure sensor, the outriggers can be adjusted to level state by one key to reduce assembly time and improve efficiency.



Product Specification

Engine

- Mercedes-Benz: (Euro Tier III), optional Euro Tier IV.
- Rated power: 2*315 kW.
- Rated speed: 1800rpm.
- Maximum output torque: 2100 N·m.
- Speed at the maximum output torque: 1300 rpm.

Load hoist winch mechanism

- The planetary gear box driven by hydraulic motor of variable displacement is used to control the main load hoist I and main load hoist II to lift and lower the load. It provides good inching performance, and also ensures quick powered lifting of main load hoist winches.
- The maximum number of parts of line is 62. The multilayer winding of rope-folding drum ensures no rope disorder. The gear box is featured in low noise, high efficiency, long service life and easy access to oil change.

Main load hoist winches W1-1 and W1-2	Speed of rope in the outermost working layer	0~140m/min
	Diameter of wire rope	32mm
	Rope length	1550m
	Rated single line pull	22.5t
Auxiliary load hoist winch W2	Speed of rope in the outermost working layer	140m/min
	Diameter of wire rope	28mm
	Rope length	600m
	Rated single line pull	17.2t

Boom hoist winch mechanism

- Components: Boom luffing mechanism, jib luffing mechanism, superlift luffing mechanism.
- All luffing winches adopt fold-line drums, which are driven by hydraulic motor through the planetary gear box and can realize a number of compound actions and good inching performance.

Boom luffing mechanism W3	Speed of rope in the outermost working layer	65*2m/min
	Diameter of wire rope	32mm
Jib luffing mechanism W4	Speed of rope in the outermost working layer	0~130m/min
	Diameter of wire rope	32mm
Superlift luffing mechanism W5	Speed of rope in the outermost working layer	140m/min
	Diameter of wire rope	32mm

Slewing mechanism

- The slewing hydraulic system adopts double motor to drive the spur gear through the planetary gear box, which can realize 360° rotation, slewing speed of 0~0.8 rpm, stepless speed regulation, no backlash at starting or stopping, stable operation and free slipping function at neutral position. Slewing ring: It is adopted with three-row roller type slewing bearing with external gears. The main unit can be separated from the lower structure through the adaptor ring.

Product Specification



- The operating equipment is made of high-strength steel tubes and high-strength steel plates, and the rolled welded pulleys are adopted on the boom head and hook.

Boom

- The boom is a spatial lattice structure of welded tubes with equal section areas of inserts and tapered sections for two ends. The boom top and root are strengthened with steel plates, which is easier for load transfer.
- The length of the boom is 30m (basic boom) to 108m (with superlift).
- Compositions: Boom base 10.5m, 1 transition section of 12 m, 1 connecting tip of 1.5m, 1 insert of 3m, 2 inserts of 6m, and 6 inserts of 12m boom top pulley block.
- The extension jib is installed on the boom top.

Fixed jib

- The fixed jib is a spatial lattice structure of welded tubes with equal section areas of inserts and tapered sections for two ends. The jib top and root are strengthened with steel plates, which is easier for load transfer.
- The length of the fixed jib is 12m.
- Compositions: jib base 6m×1, jib top 6m×1.

Luffing jib

- The luffing jib is a spatial lattice structure of welded tubes with equal section areas of inserts and tapered sections for two ends. The jib top and root are strengthened with steel plates, which is easier for load transfer.
- The length of the luffing jib is 30m~114m.
- Compositions: Jib base 10.5m×1, boom insert (H8D), tapered section 6m×1, insert 6m×2, insert 12m×6, jib top 1.5m×1.
- The extension jib is installed on the jib top.

Superlift device

- The superlift mast is a spatial lattice structure of welded tubes with equal section areas of inserts and tapered sections for two ends. The mast base and top are strengthened with steel plates, which is easier for load transfer.
- The length of the superlift mast is 42m.
- Compositions: Superlift base 12m×1, insert 6m×1, insert 12m×1, top 12m×1.

Hook

- There are 4 types of hook available. The specific parameters are as follows:

Hook	Maximum lifting capacity	Quantity	Number of pulleys	Unit weight (t)
1250t hook (decomposable)	1250t	1	2×15	35.9
800t hook (dual pulley block)	800t	1	2×11	22.3
250t hook (dual pulley block)	250t	1	2×3	11.9
25t ball hook (no pulley)	25t	1	0	1.7

Note: The 1250t hook can be decomposed into 650t hook.



Product Specification

Additional device

- Lower structure jack cylinders.
- Portable power pack.

Counterweight

- The counterweight includes the carbody counterweight, rear counterweight, superlift counterweight, and the specific parameters are as follows:

Name	Quantity	Length(m)	Width(m)	Height(m)	Unit weight(t)
Carbody counterweight	6	2.40	2.85	0.484	10
Carbody counterweight tray	2	3.00	3.666	1.465	15
Rear counterweight	22	2.40	2.85	0.484	10
Rear counterweight tray	2	3.35	2.86	2.96	15
Superlift counterweight	42	2.40	2.85	0.484	10
Superlift counterweight tray	1	10.124	3.00	1.014	30

Hydraulic system

- Hydraulic system includes load hoist hydraulic system, traveling hydraulic system, slewing hydraulic system, boom hoist hydraulic system, servo hydraulic system, back-stop hydraulic system, cooling system, auxiliary hydraulic system. The main hydraulic components are original parts imported.
- Characteristics: The load hoisting, traveling, boom hoist and slewing hydraulic systems are of closed loop type, featuring energy saving, high efficiency, quick response, low heat radiation and long service life.
- The servo system adopts electrical proportional control components to facilitate the accurate and intelligent control.
- The back-stop hydraulic system adopts balance valve of external control and unloading, and it is mounted on the cylinder to make sure it is safe and reliable.
- The cooling system is characterized by higher power and quicker cooling.

Working weight

- The working weight is about 777t, including superstructure, lower structure, rear counterweight, carbody counterweight, 30m base boom and 1250t hook.

Ground pressure

- The average ground bearing pressure of the crane with base boom is 0.14 MPa.

Gradeability

- The gradeability of the crane with base boom is 20%.

Safety Devices



Load moment indicator

- The proprietary load moment limiter independently developed by Sany is adopted, which forms a network with other controllers through CAN bus line, so as to realize safe and reliable control. The load moment limiter can automatically detect the hoisting weight of the crane and the angle of the boom, and display the rated load capacity, actual load, working radius, and the allowable height of the hook.
- The load moment limiter system consists of a large-screen color display, a host computer, angle sensors, tension sensors, pressure sensors and other components.

Over-hoist protection of the main and auxiliary hooks

- It is used to prevent the over-hoist of the hook. When the lifting hook is raised to a certain height, the limit switch will start working, and hook will be automatically cut off from moving up by the control system. Meanwhile, the display and the buzzer will give alarms. At this moment, only hook lowering is allowed to prevent over-hoist action.

Over-release protection device of the main and auxiliary hook

- It is used to prevent the wire rope over-release. When the wire rope is released to the last three wraps, the limit switch will start working, and the releasing of rope will be automatically stopped by the control system. Meanwhile, the display and the buzzer will give alarms. At this moment, only rope retraction is allowed to prevent over release action.

Boom angle limit

- When the elevation angle of the boom exceeds 85° or jib angle exceeds 75°, corresponding limit switch will be triggered, and the control system will automatically cut off the boom hoisting. Meanwhile, the display and the buzzer will give alarm. At this moment, boom/jib luffing winch won't hoist but it can still lower down.
- When the boom down angle is less than 30° or jib down angle is less than 15°, the control system will automatically cut off the boom/jib from further lowering. Meanwhile, the display and the buzzer will give alarms. At this moment, boom/jib luffing winch won't be able to lower. This protection is automatically controlled by Load Moment Limiter.

Back-stop device

- The boom and the superlift mast are respectively equipped with a pair of back-stop cylinders. The high pressure of the cylinder shall be overcome when the boom tilts backwards, and high pressure oil will be supplemented automatically when the boom slewing forwards to increase the tension and prevent the boom vibration and shaking back.
- The jib rear mast is equipped with a pair of back-stop cylinders, while the jib front mast is equipped with a pair of pneumatic cylinders to prevent the mast from the backward inclination and tension of the jib luffing wire rope.

Brake of hoisting mechanism

- All hoisting brakes are spring loaded normally closed disc brakes, which are featured with large braking force, maintenance-free, safe and reliable use, and long service life.

Closed circuit monitoring system

- It can be used to monitor the winding conditions of wire ropes of each hoisting mechanism, the conditions of superlift weight, and conditions around the equipment.
- Video recorder can store video as long as 76 hours.
- Machine operation can be recorded.

Failure auto-diagnosis system

- Failure code can help troubleshooting easily.

Safety Devices



Black box

- It is able to record the operation data and machine movement, and analyze the remaining running conditions and service life of machine based on the actual performance.

Pharos

- It is mounted on the top of the boom/jib and alerts in air during night.

Anemometer

- It is mounted on the top of the boom/jib to monitor the wind speed in real time and display relative data on the monitor.

Electronic level indicator

- It displays the tilting angle of the crane on the monitor in real time and protects the safe operation of the crane.

Lightning protection device

- It includes the lightning protection device and the surge protection device, which can effectively protect the electric system elements and workers from lightning.

Hook latch

- The lifting hook is installed with a baffle plate to prevent wire rope from falling off.

Slewing and travel visual-audio alarm

- When the machine is slewing or traveling, the horn will send out alarm per certain frequency, and warning indicator light flashes, to warn the people around the machine. This can be turned off in the control system.

Function lock

- The operation will be locked by pulling up the function locking lever on the right side of the seat inside the driver's cab or when the operator left the seat, after which no operating handles will be working so that improper operation caused by the body collision when getting on and off the crane can be avoided.

Regulation of engine power ultimate load and stalling protection

- The controller can monitor the engine power so as to prevent stalling.

Remote monitoring system

- It monitors and analyzes the operation data so as to realize remote diagnosis of faults and timely solution.

Proactive safety control technology

- Slewing speed can be automatically reduced based on boom length to make it safer.
- Flexible safety protection reduces the speed when the mechanism approaches to the safety limit position, which ensures reliability.
- Real-time monitor of hydraulic oil temperature allows limits on the action speed based on oil temperature, which protect the hydraulic components effectively.
- The protection can be set on man-machine interface as customer needs.



SCC12500A SANY CRAWLER CRANE

QUALITY CHANGES THE WORLD

Technical Parameters

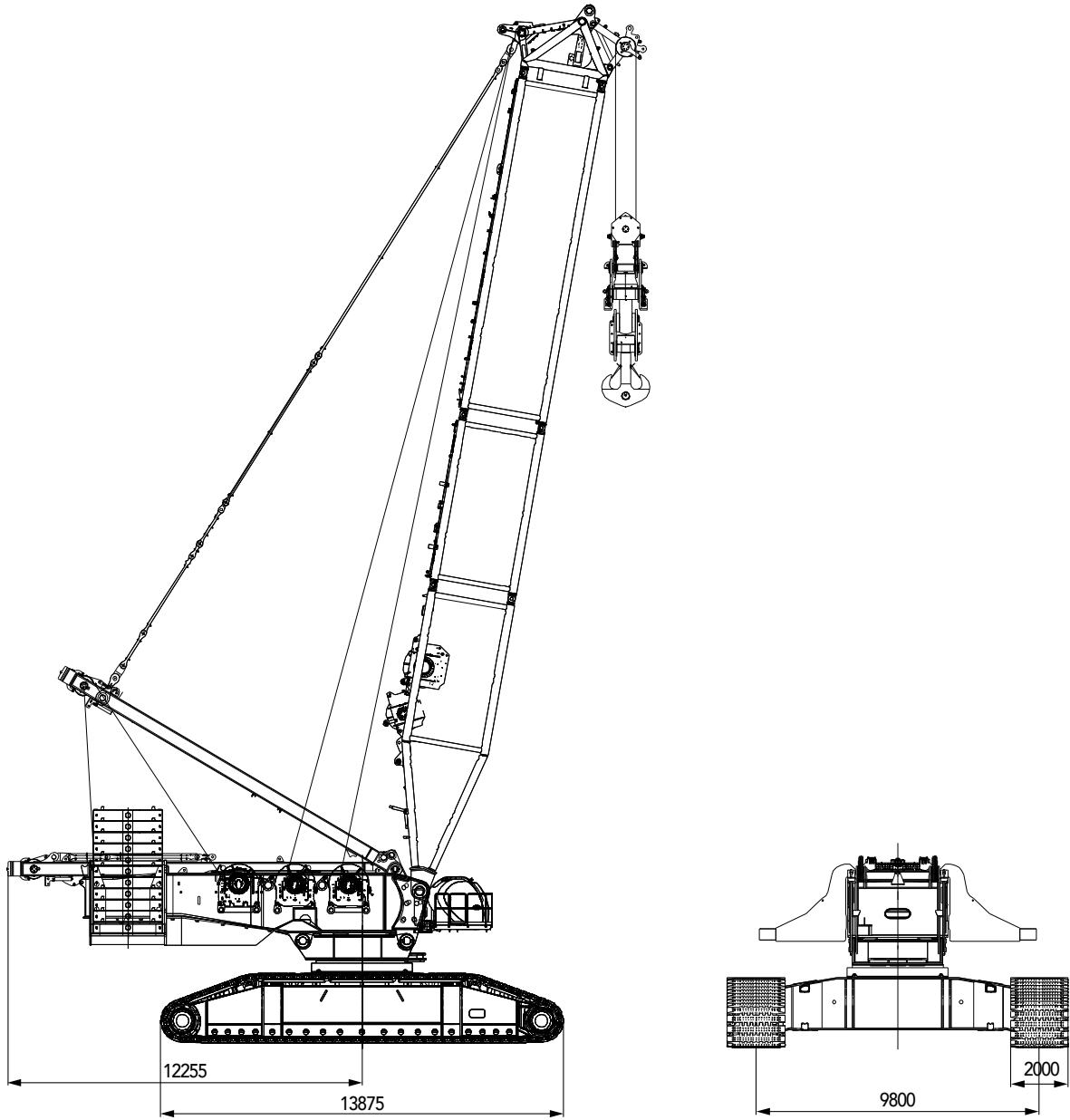
- Page 11 Main performance parameters
- Page 12 Basic dimensions of overall crane
- Page 14 Transportation dimensions
- page 23 Assembly procedure

> 10

Main Performance Parameters

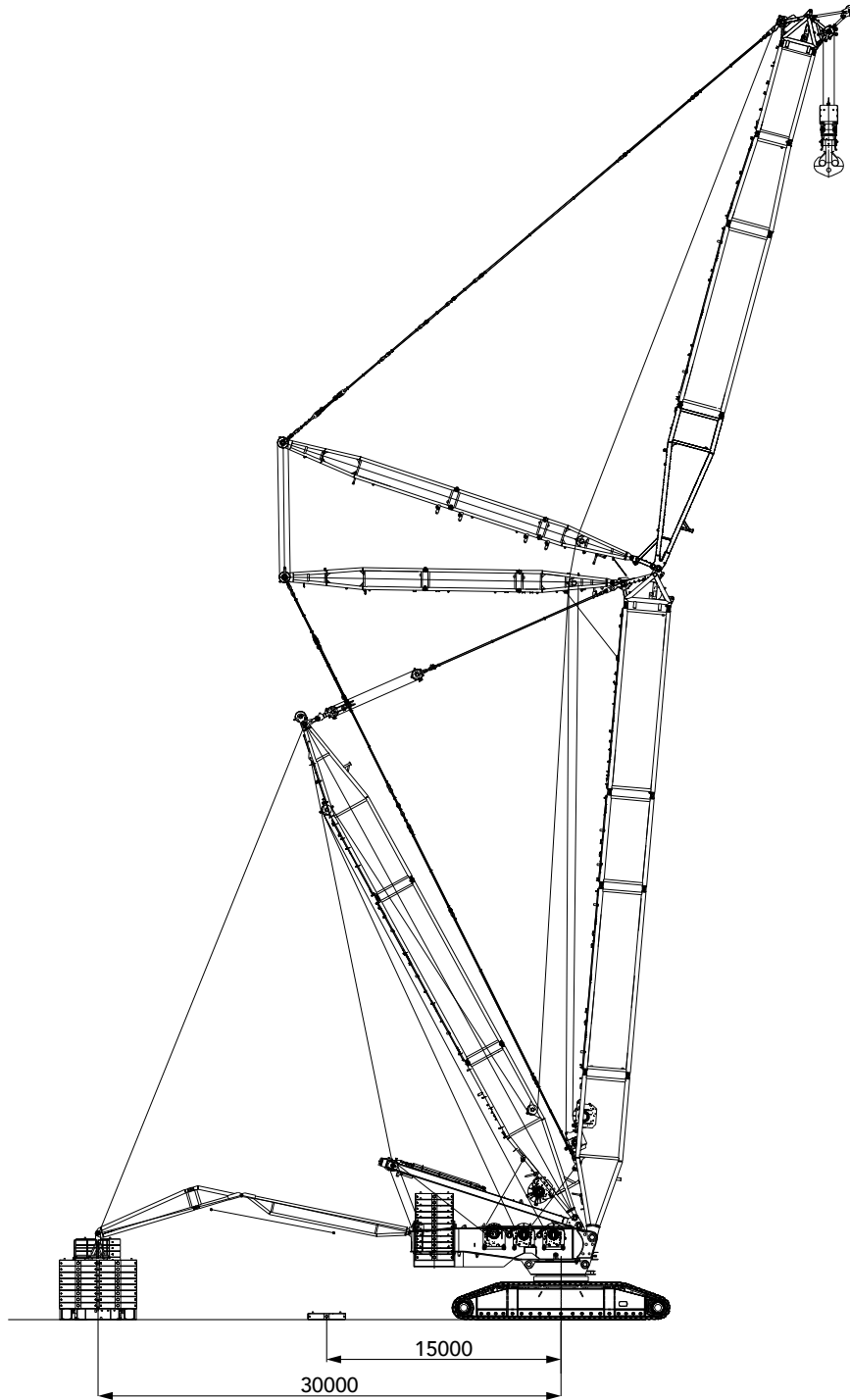
Major Performance & Specifications of SCC12500A		
Performance indexes	Unit	Parameter
Maximum rated lifting capacity	t	800 (7m operating radius)
Maximum rated lifting capacity (with superlift)	t	1250 (12m operating radius)
Maximum rated lifting moment	t·m	6060
Maximum rated lifting moment (with superlift)	t·m	17000
Boom length	m	30~72
Boom length (with superlift)	m	42~108
Mixed boom length	m	48~90
Mixed boom length (with superlift)	m	84~171
Luffing jib length	m	36~66
Luffing jib length (with superlift)	m	36~114
Length of short fixed jib	m	12
Longest boom combination (LJDB working condition)	m	108+114
Boom luffing angle	°	30~85
Jib luffing angle	°	15~75
Maximum rope speed of single rope of main load hoist winch (outermost working layer)	m/min	140
Maximum rope speed of single rope of aux. load hoist winch (outermost working layer)	m/min	140
Maximum rope speed of single rope of boom hoist mechanism (outermost working layer)	m/min	65×2
Maximum rope speed of single rope of jib luffing mechanism (outermost working layer)	m/min	130
Maximum rope speed of single rope of superlift luffing mechanism (outermost working layer)	m/min	140
Slewing speed (no load)	r/min	0.9
Travelling speed	km/h	0~0.8
Gradeability (with basic boom, cab facing backward)	%	20
Rated output power of the engine	kW/r/min	2×315/1800
Machine weight (basic boom, 250t machine rear counterweight, 90t carbody counterweight, with 1250t hook)	t	777
Average ground bearing pressure of the crawler (base boom, 250t machine counterweight, 90t carbody counterweight, 1250t hook)	MPa	0.14
Rear counterweight (including tray)	t	250
Superlift counterweight (including tray)	t	450
Carbody counterweight (including tray)	t	90
Maximum transportat dimensions of single piece (L×W×H)	mm	15300×3500×3200
Maximum transport weight of single piece	t	54

Outline Dimension

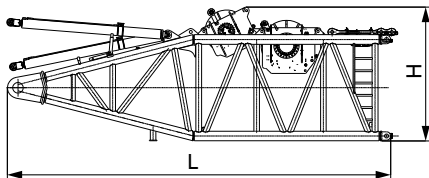
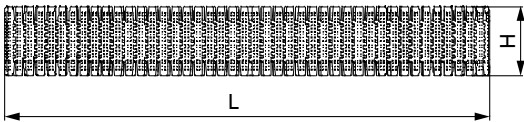
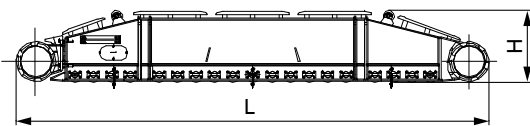
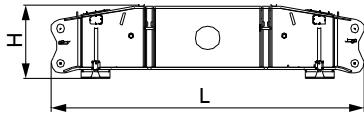
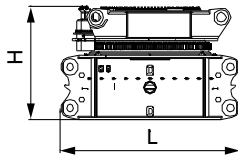
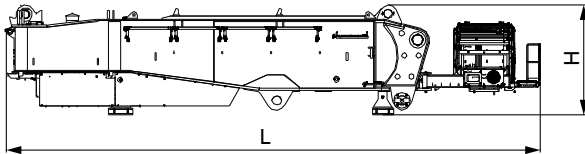


Unit: mm

Outline Dimension



Transport Dimension



Basic machine (with upper- and lowerworks separated)

×1

Length (L)	15.30m
Width (W)	3.50m
Height (H)	3.15m
Weight	53.6t

Center slewing structure (carbody+adapter)

×1

Length (L)	5.14m
Width (W)	3.50m
Height (H)	3.24m
Weight	50.0t

Transverse beam

×2

Length (L)	9.00m
Width (W)	1.81m
Height (H)	2.11m
Weight	21.6t

Crawler frame assembly

×2

Length (L)	13.56m
Width (W)	2.07m
Height (H)	2.06m
Weight	43.4t

Track pad assembly

×2

Length (L)	13.92m
Width (W)	2.00m
Height (H)	2.38m
Weight	32.1t

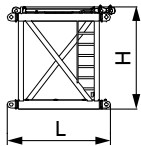
Boom base (H2)(with winch)

×1

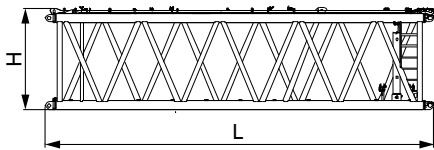
Length (L)	10.92m
Width (W)	3.50m
Height (H)	3.20m
Weight	37.0t

Note:aux. load hoist winch 5.4t, jib luffing winch 10.9t.

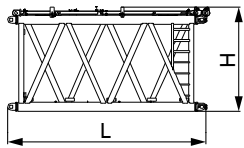
Transport Dimension



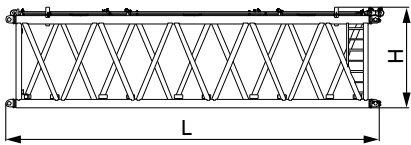
3m transitional insert (H3)	×1
Length (L)	3.24m
Width (W)	3.50m
Height (H)	3.23m
Weight	4.5t



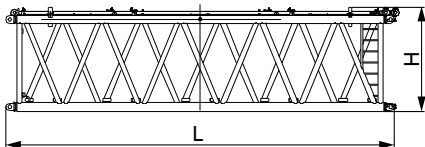
12m transitional insert (H4)	×1
Length (L)	12.24m
Width (W)	3.50m
Height (H)	3.19m
Weight	14.9t



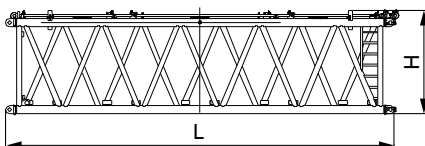
6m boom insert (H6)	×2
Length (L)	6.24m
Width (W)	3.50m
Height (H)	3.28m
Weight	8.2t



12m boom insert (H8A)	×2
Length (L)	12.24m
Width (W)	3.50m
Height (H)	3.28m
Weight	15.4t

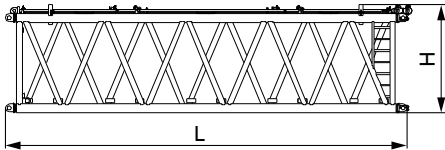


12m boom insert (H8B)	×2
Length (L)	12.24m
Width (W)	3.50m
Height (H)	3.28m
Weight	15.4t



12m boom insert (H8C)	×2
Length (L)	12.24m
Width (W)	3.50m
Height (H)	3.28m
Weight	12.8t

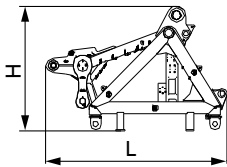
Transport Dimension



12m boom insert (H8D)

×1

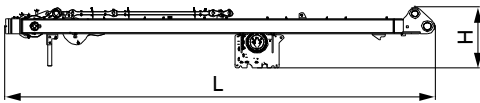
Length (L)	12.24m
Width (W)	3.50m
Height (H)	3.28m
Weight	11.2t



Connecting tip(H9)

×1

Length (L)	4.17m
Width (W)	3.50m
Height (H)	2.87m
Weight	9.9t

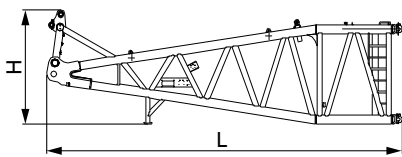


Boom hoist mast

×1

Length (L)	13.7m
Width (W)	2.87m
Height (H)	1.94m
Weight	28.2t

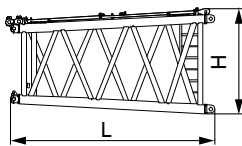
Note: including boom hoist winch 9.04t.



Luffing jib base (LJ2)

×1

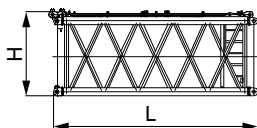
Length (L)	10.83m
Width (W)	3.50m
Height (H)	3.47m
Weight	13.5t



6m jib tapered insert(LJ4)

×1

Length (L)	6.24m
Width (W)	3.50m
Height (H)	3.21m
Weight	5.8t

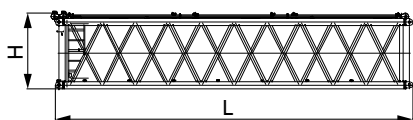


Luffing jib insert(LJ6)

×2

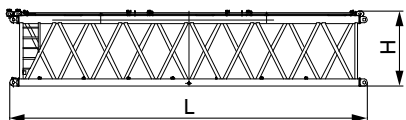
Length (L)	6.23m
Width (W)	3.00m
Height (H)	2.57m
Weight	5.13t

Transport Dimension



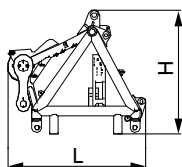
Luffing jib insert(LJ8A) ×2

Length (L)	12.23m
Width (W)	3.00m
Height (H)	2.57m
Weight	8.33t



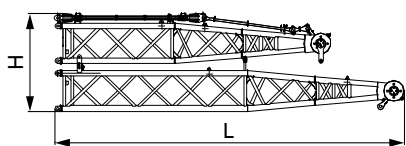
Luffing jib insert(LJ8B) ×4

Length (L)	12.23m
Width (W)	3.00m
Height (H)	2.57m
Weight	7.58t



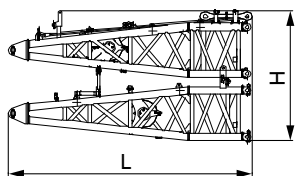
Jib tip (LJ9) ×1

Length (L)	3.04m
Width (W)	3.04m
Height (H)	2.74m
Weight	5.51t



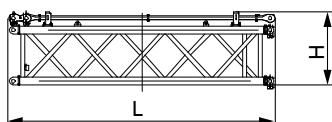
Rear and front mast top of luffing jib ×1

Length (L)	11.94m
Width (W)	2.98m
Height (H)	3.34m
Weight	13.0t



Rear and front mast base of luffing jib ×1

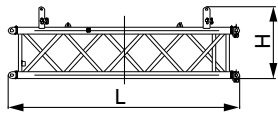
Length (L)	6.25m
Width (W)	2.89m
Height (H)	3.34m
Weight	7.3t



6m front mast of luffing jib ×1

Length (L)	6.24m
Width (W)	2.97m
Height (H)	1.71m
Weight	2.88t

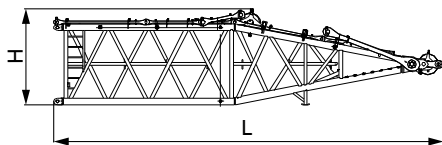
Transport Dimension



6m rear mast of luffing jib

×1

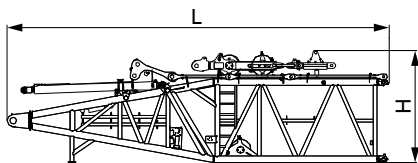
Length (L)	6.18m
Width (W)	2.13m
Height (H)	1.94m
Weight	2.21t



Superlift mast top (D1)

×1

Length (L)	13.02m
Width (W)	3.45m
Height (H)	3.20m
Weight	18.8t

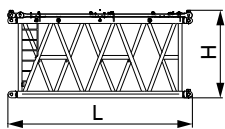


Superlift mast base (D2)(with winch)

×1

Length (L)	12.32m
Width (W)	3.50m
Height (H)	3.64m
Weight	35.3t

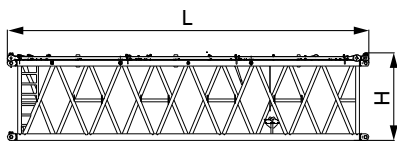
Note: superlift luffing winch 12.65t.



6m superlift mast insert (D4)

×1

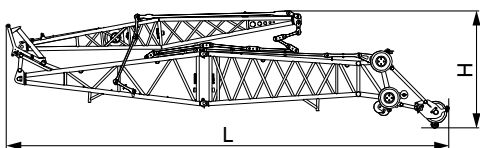
Length (L)	6.24m
Width (W)	3.49m
Height (H)	2.89m
Weight	6.23t



12m superlift mast insert (D6)

×1

Length (L)	12.24m
Width (W)	3.49m
Height (H)	2.89m
Weight	11.37t

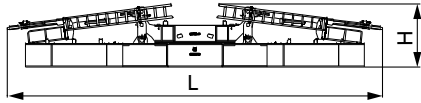


Fixed jib

×1

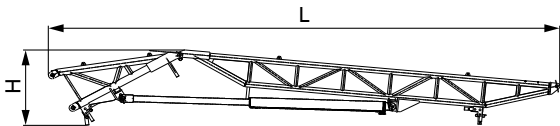
Length (L)	14.35m
Width (W)	2.33m
Height (H)	3.78m
Weight	10.25t

Transport Dimension



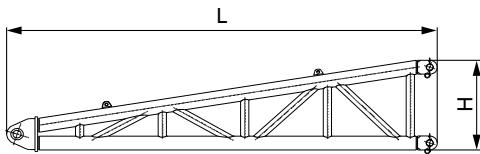
Superlift counterweight frame ×1

Length (L)	11.21m
Width (W)	3.00m
Height (H)	1.87m
Weight	32.0t



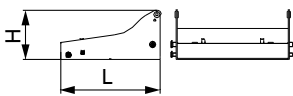
Superlift strut stage 1 and 2 (including cylinder) ×1

Length (L)	16.00m
Width (W)	3.50m
Height (H)	2.40m
Weight	17.3t



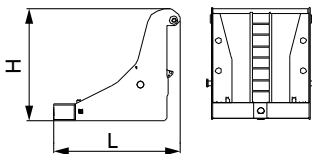
Superlift strut stage 3 ×1

Length (L)	16.00m
Width (W)	3.50m
Height (H)	2.40m
Weight	17.3t



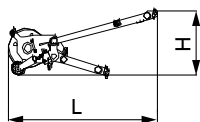
Carbody counterweight tray ×2

Length (L)	2.98m
Width (W)	3.67m
Height (H)	1.47m
Weight	15.0t



Rear counterweight tray ×2

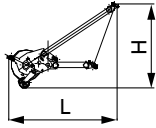
Length (L)	3.35m
Width (W)	2.86m
Height (H)	2.96m
Weight	15.0t



Boom extension jib ×1

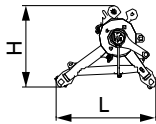
Length (L)	2.65m
Width (W)	1.27m
Height (H)	1.41m
Weight	0.58t

Transport Dimension



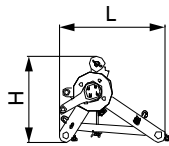
Luffing jib extension jib ×1

Length (L)	2.44m
Width (W)	1.13m
Height (H)	1.90m
Weight	0.58t



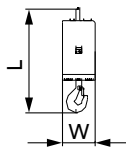
Pulley block (650t) ×2

Length (L)	1.85m
Width (W)	1.67m
Height (H)	1.51m
Weight	2.1t



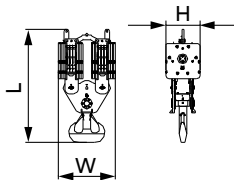
Pulley block (1250t) ×2

Length (L)	1.85m
Width (W)	2.09m
Height (H)	1.94m
Weight	3.7t



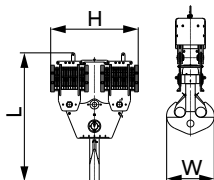
25t hook ×1

Length (L)	1.64m
Width (W)	0.54m
Height (H)	0.54m
Weight	1.7t



250t hook ×1

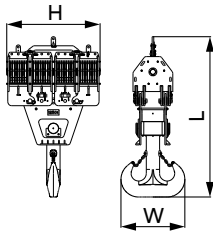
Length (L)	3.66m
Width (W)	1.83m
Height (H)	1.10m
Weight	11.9t



800t hook ×1

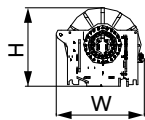
Length (L)	5.06m
Width (W)	3.45m
Height (H)	1.89m
Weight	22.3t

Transport Dimension



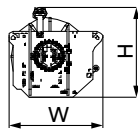
1250t hook ×1

Length (L)	6.02m
Width (W)	3.51m
Height (H)	2.40m
Weight	30.6t



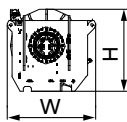
Main load hoist winch ×2

Length (L)	2.15m
Width (W)	1.68m
Height (H)	1.50m
Weight	12.7t



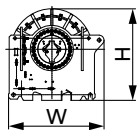
Aux. load hoist winch ×1

Length (L)	2.06m
Width (W)	1.50m
Height (H)	1.44m
Weight	5.4t



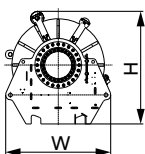
Jib luffing winch ×1

Length (L)	2.06m
Width (W)	1.76m
Height (H)	1.63m
Weight	10.9t



Boom hoist winch ×1

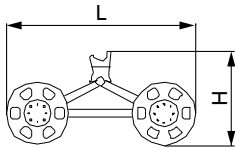
Length (L)	2.48m
Width (W)	1.56m
Height (H)	1.49m
Weight	9.04t



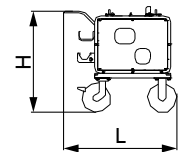
Superlift luffing winch ×1

Length (L)	2.15m
Width (W)	1.64m
Height (H)	1.75m
Weight	12.65t

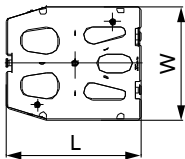
Transport Dimension



Trolley		×1
Length (L)		3.10m
Width (W)		2.14m
Height (H)		1.40m
Weight		1.8t



Portable power pack		×1
Length (L)		1.80m
Width (W)		1.20m
Height (H)		1.40m
Weight		0.6t



10t counterweight block		×70
Length (L)		2.85m
Width (W)		2.40m
Height (H)		0.45m
Weight		10.0t

Note:

- 1.The transport dimensions of each part are schematic, may not be proportional to the real parts. The dimensions are designed value without package considered.
- 2.The weight is designed value that the actual manufactured part may deviate slightly.
- 3.The dimensions and weight of each part may upgrade along the time. The final values are subject to the new product.

SCC12500A Boom & Jib System

Boom system

No	Code	Description	Qty
1	H2	Boom base	1
2	H3	3m transitional insert	1
3	H4	12m transitional insert	1
4	H6	6m boom insert	2
5	H8A	12m boom insert	2
6	H8B	12m boom insert	2
7	H8C	12m boom insert	2
8	H9	Boom tip	1

Luffing jib system

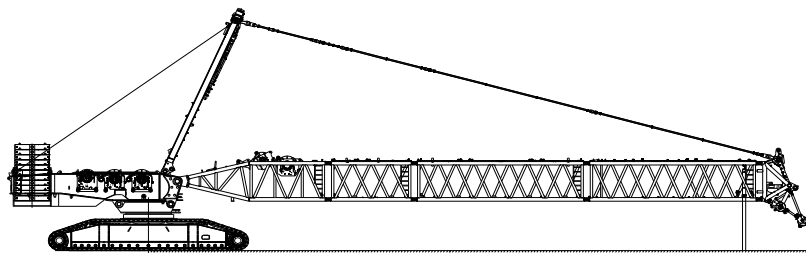
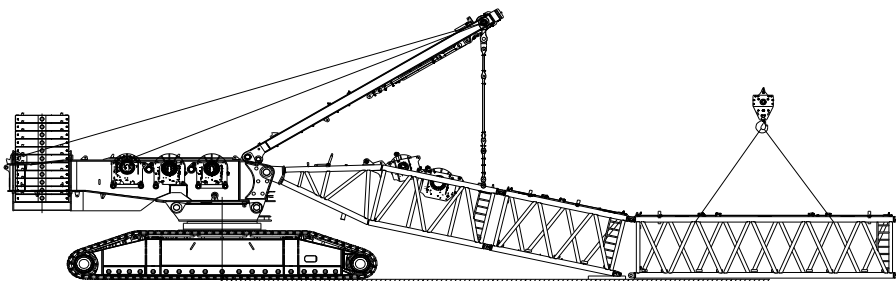
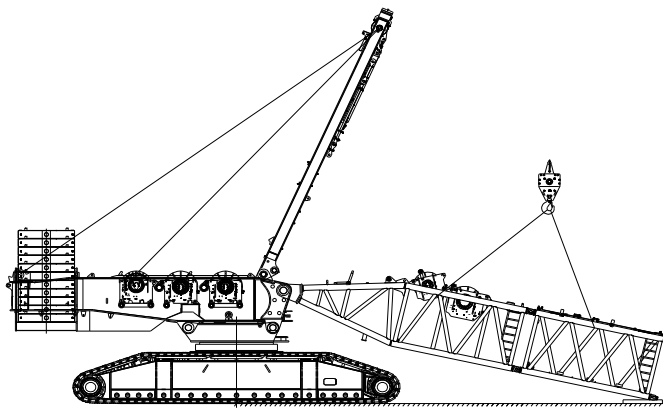
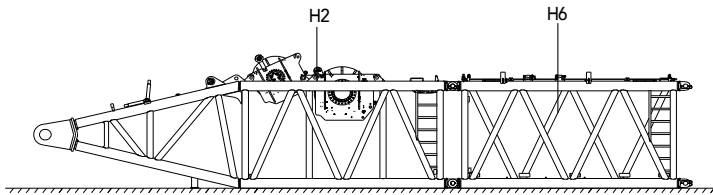
No	Code	Description	Qty
9	H8D	12m boom insert	1
10	LJ2	Luffing jib base	1
11	LJ4	6m jib tapered insert	1
12	LJ6	Luffing jib insert	2
13	LJ8A	12m luffing jib insert	2
14	LJ8B	12m luffing jib insert	4
15	LJ9	luffing jib tip	1

Superlift

No	Code	Description	Qty
16	D1	Superlift mast top	1
17	D2	Superlift mast base	1
18	D4	6m superlift mast insert	1
19	D6	12m superlift mast insert	1

Assembly Procedure

Boom assembly





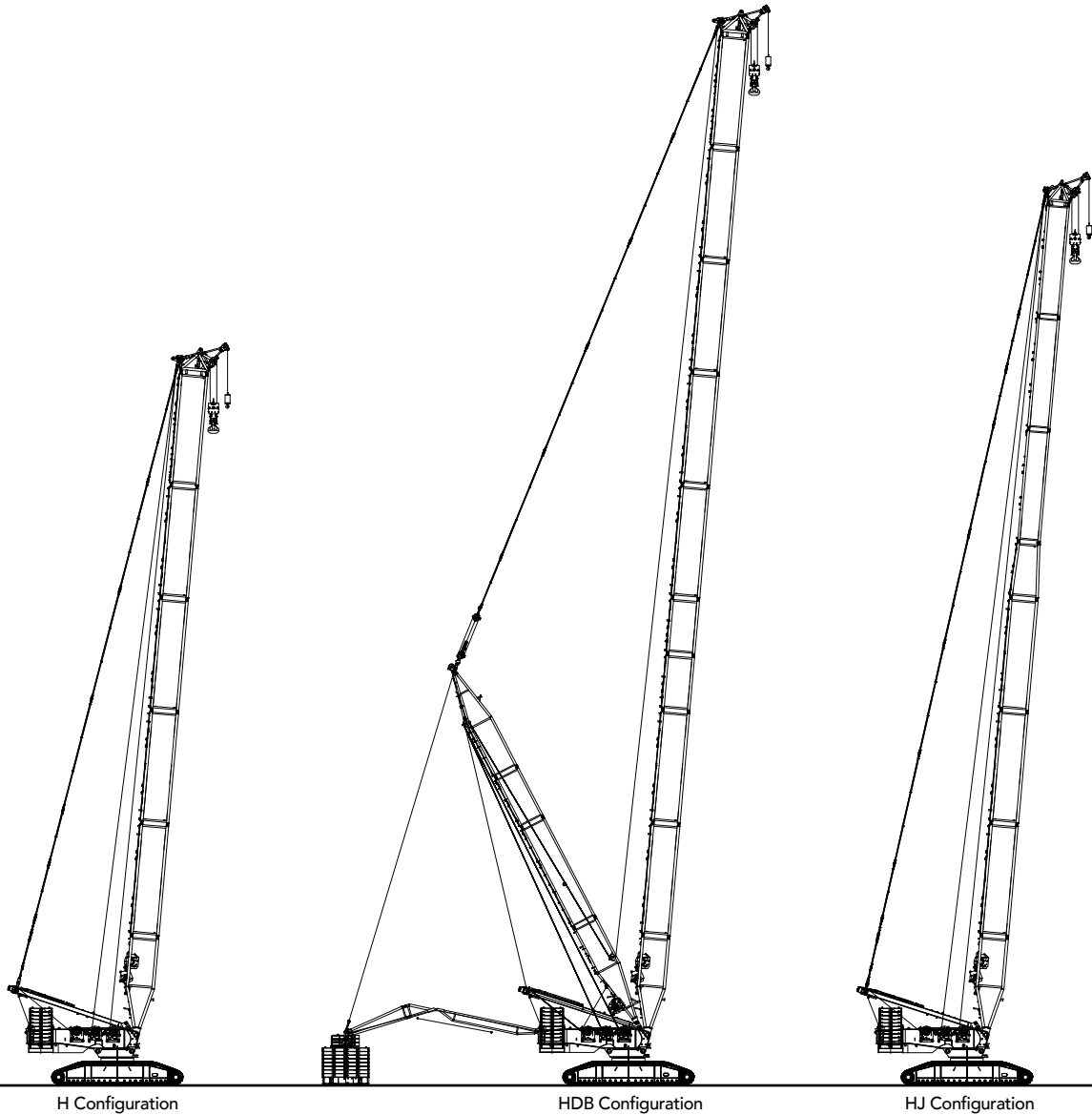
SCC12500A SANY CRAWLER CRANE

QUALITY CHANGES THE WORLD

Configurations

- Page 25 Combination
- Page 27 H Configuration
- Page 30 HDB Configuration
- Page 33 HJ Configuration
- Page 36 HJDB Configuration
- page 39 LJ Configuration
- page 43 LJDB Configuration
- page 56 HJFJDB Configuration

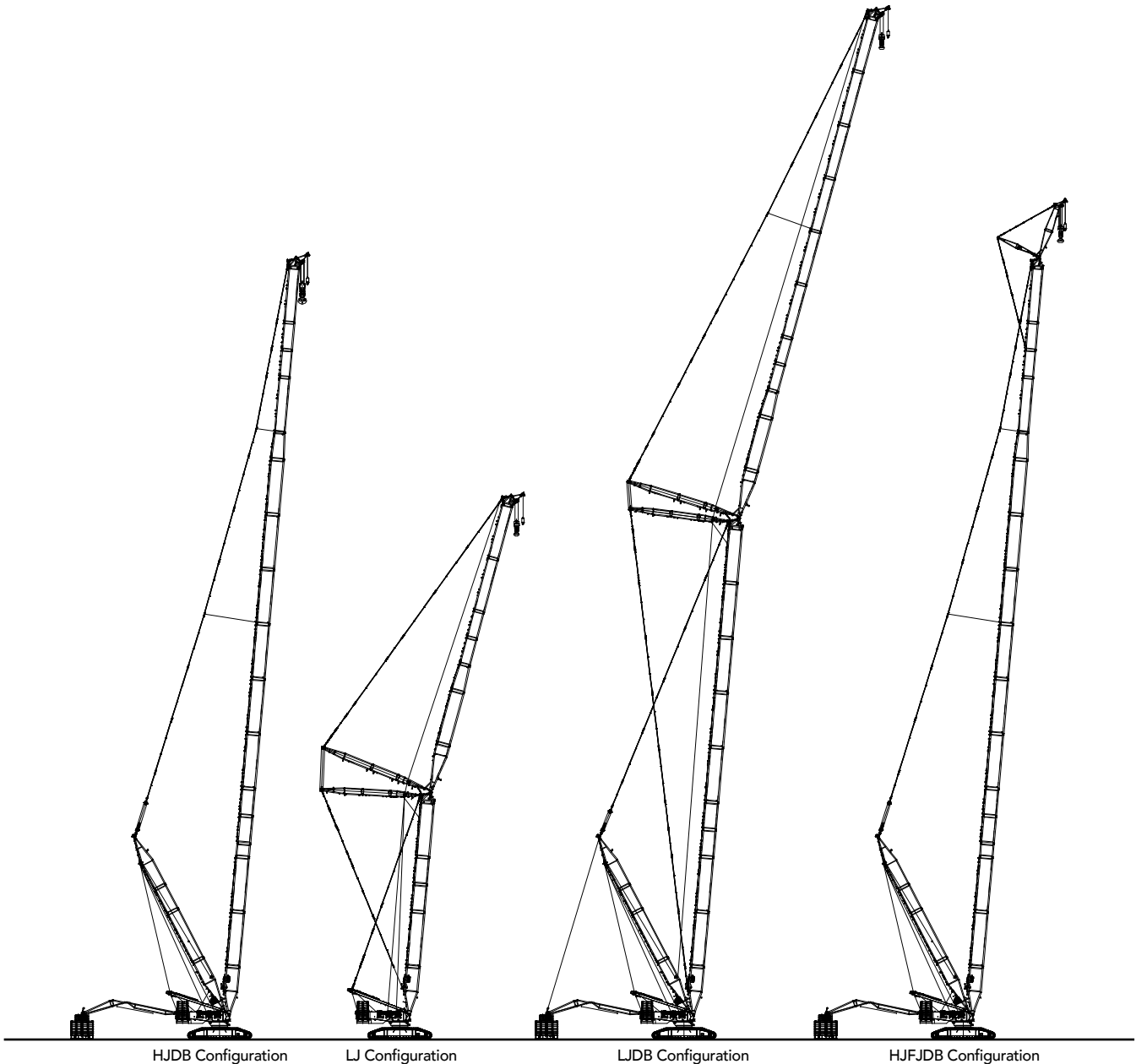
Combination



Configuration	Boom combination	Boom length
H	Boom	30m~72m
HDB	Boom + Superlift mast + Superlift counterweight	42m~108m
HJ	Mixed boom	48m~90m

Note: The schematics above are reference for loading only.

Combination

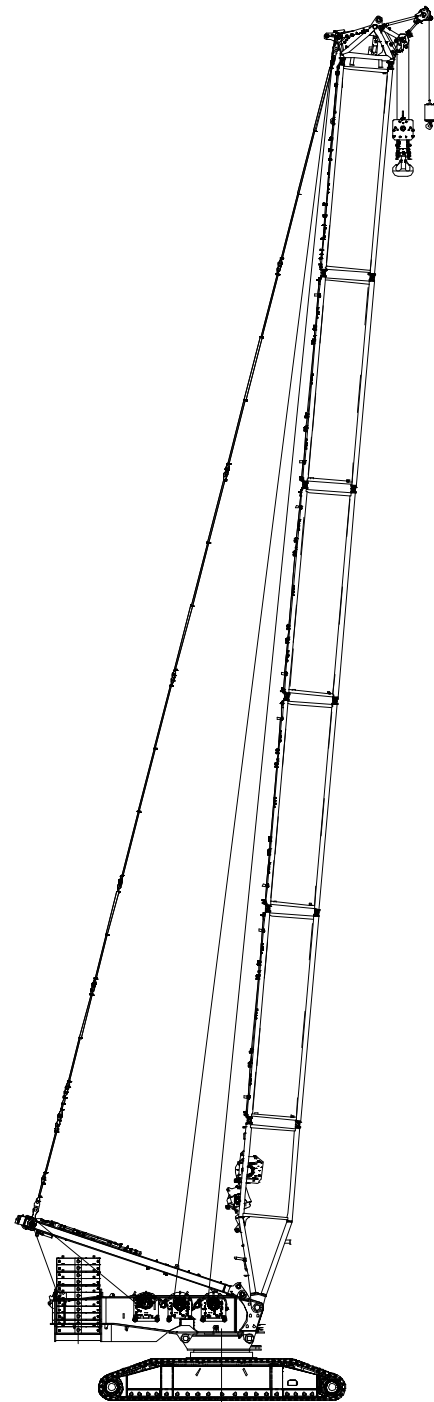


Configuration	Boom combination	Boom length
HJDB	Mixed boom + Superlift mast + Superlift counterweight	84m~165m
LJ	Boom + luffing jib	(42~48) + (36~66)
LJDB	Boom + luffing jib + Superlift mast + Superlift counterweight	(42~108) + (36~114)
HJFJDB	mixed boom +fixed jib +Superlift mast + Superlift counterweight	(102m~165m) + 12m

Note: The schematics above are reference for loading only.

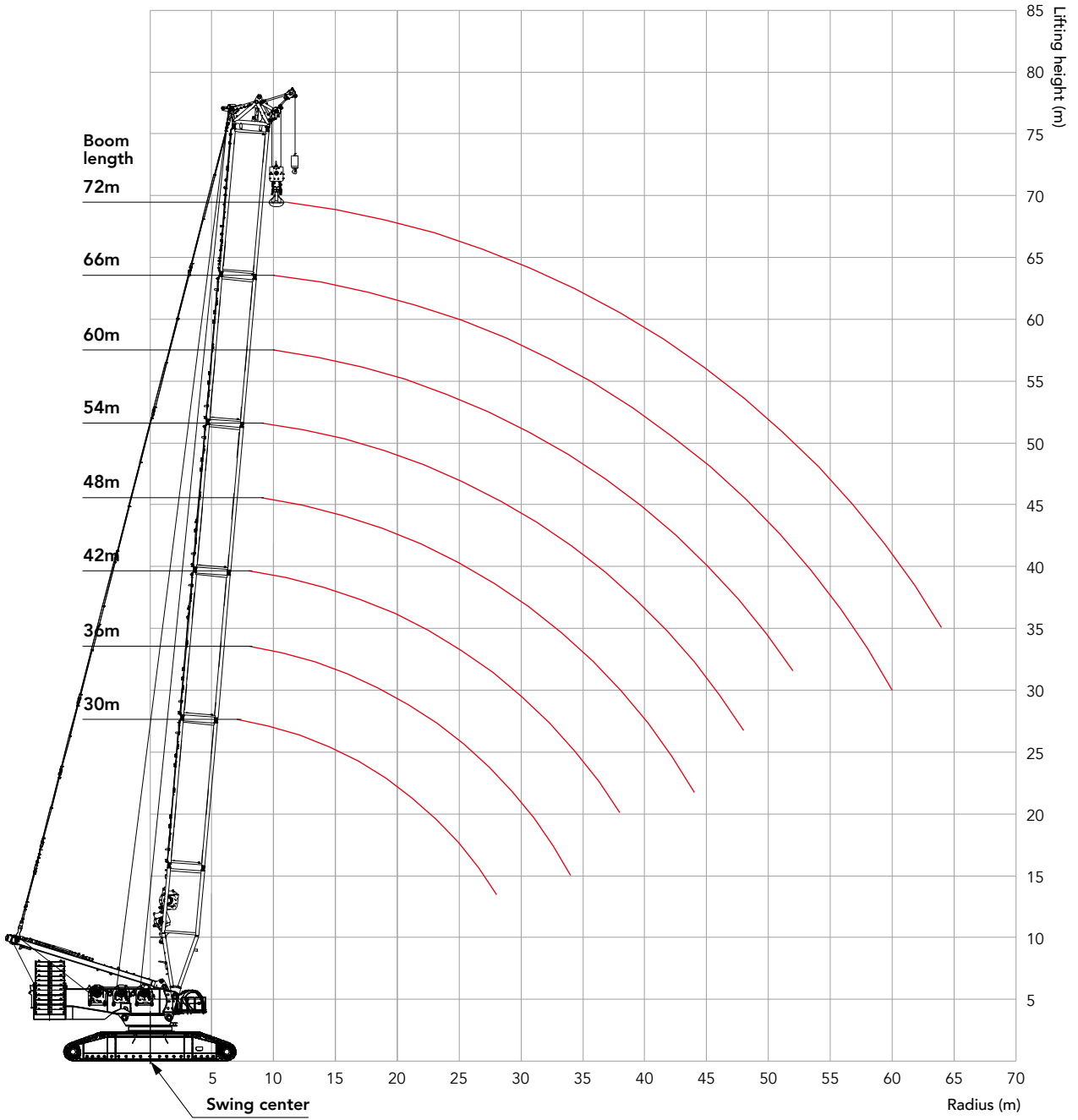
Boom Combination in H

Boom Combination in H Configuration						
Boom length (m)	Boom insert					
	H2	H6	H8A	H8B	H4	H9
30	1	1	-	-	1	1
36	1	-	1	-	1	1
42	1	1	1	-	1	1
48	1	-	1	1	1	1
54	1	1	1	1	1	1
60	1	-	1	2	1	1
66	1	1	1	2	1	1
72	1	-	1	3	1	1



H Configuration
(30m~72m)

Working Range of H



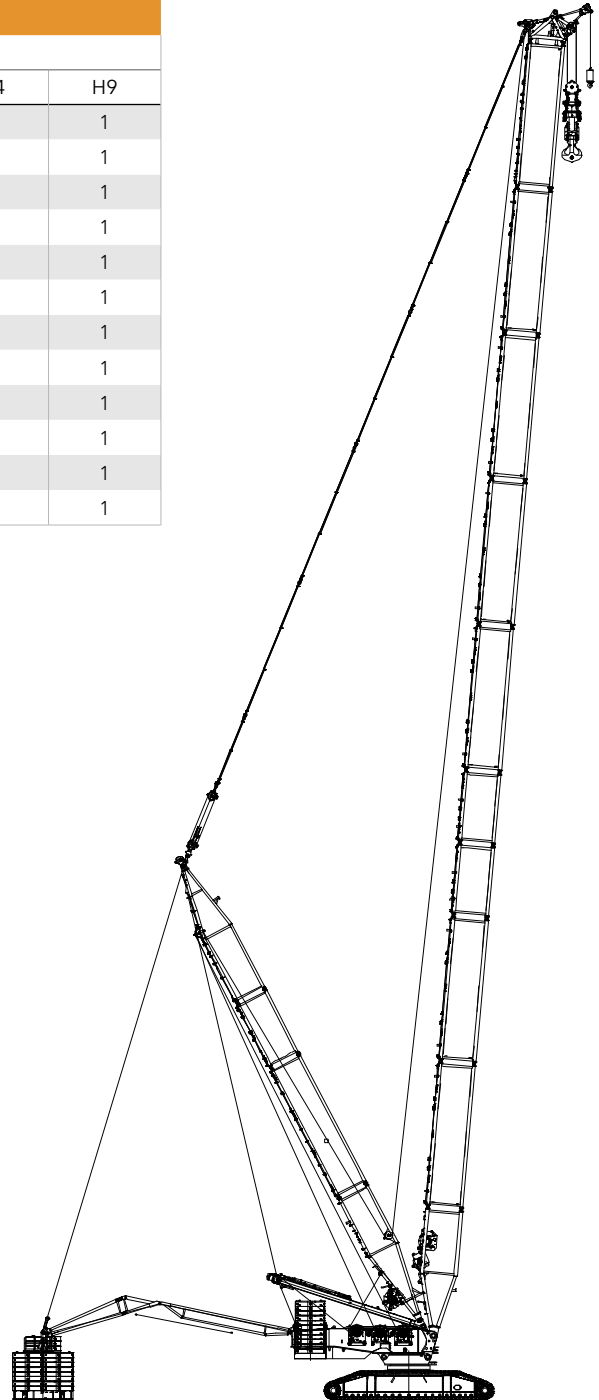
Load Chart of H Configuration

H Configuration									
Boom length 30~72m, Rear counterweight 250t, Carbody counterweight 90t									
BL/R (m)	30	36	42	48	54	60	66	72	BL/R (m)
7	800								7
7.5	762	760							7.5
8	703	702	700						8
9	609	607	606	604	602				9
10	536	534	532	530	528	526	524		10
11	477	476	474	472	470	467	465	463	11
12	430	428	426	424	422	419	417	415	12
13	390	388	387	384	382	380	378	375	13
14	357	355	353	351	349	346	344	341	14
15	328	326	324	322	320	317	315	313	15
16	303	302	300	297	295	292	290	288	16
17	282	280	278	276	273	271	269	266	17
18	262	261	259	257	254	252	250	247	18
19	245	244	242	240	237	235	232	230	19
20	230	229	227	224	222	219	217	214	20
22	204	203	201	198	196	193	191	188	22
24	183	181	179	177	175	172	170	167	24
26	164	163	161	159	157	154	152	149	26
28	149	148	146	144	141	138	136	133	28
30		135	133	131	128	125	123	120	30
32		123	122	119	117	114	112	109	32
34		113	111	109	107	104	102	99.2	34
36			102	100	98.3	95.5	93.3	90.3	36
38			94.7	92.6	90.3	87.5	85.4	82.4	38
40				85.3	83.1	80.3	78.2	75.3	40
44				72.7	70.6	68.0	65.9	62.9	44
48					60.2	57.6	55.5	52.6	48
52						48.8	46.8	43.9	52
56							39.2	36.4	56
60							32.6	29.9	60
64								24.1	64
68									68
72									72
76									76
80									80

Boom Combination in HDB

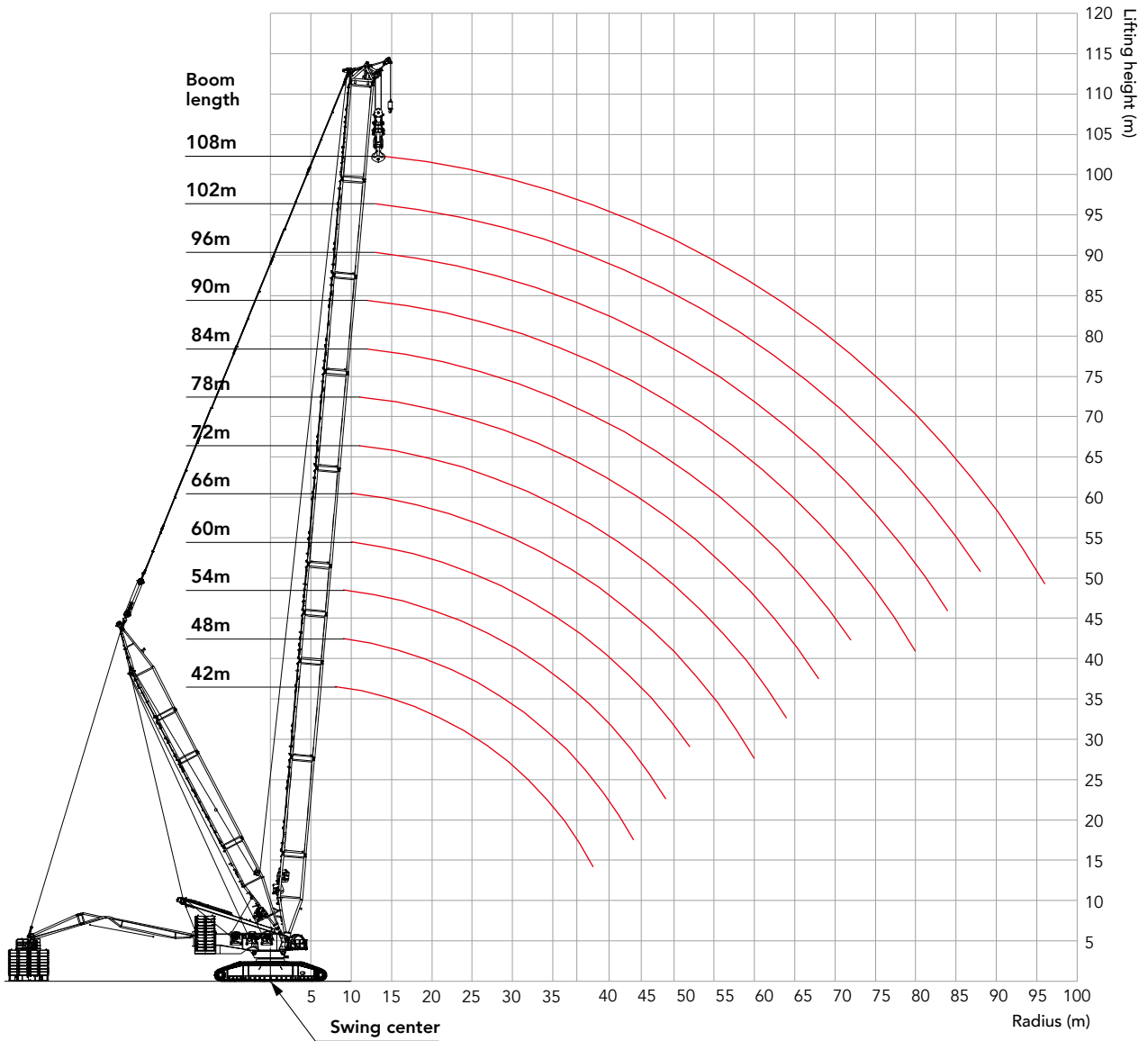
Boom Combination in HDB Configuration

Boom length (m)	Boom insert						
	H2	H6	H8A	H8B	H8C	H4	H9
42	1	1	1	-	-	1	1
48	1	2	1	-	-	1	1
54	1	1	2	-	-	1	1
60	1	2	2	-	-	1	1
66	1	1	2	1	-	1	1
72	1	2	2	1	-	1	1
78	1	1	2	2	-	1	1
84	1	2	2	2	-	1	1
90	1	1	2	2	1	1	1
96	1	2	2	2	1	1	1
102	1	1	2	2	2	1	1
108	1	2	2	2	2	1	1



HDB Configuration
(42m~108m)

Working Range of HDB

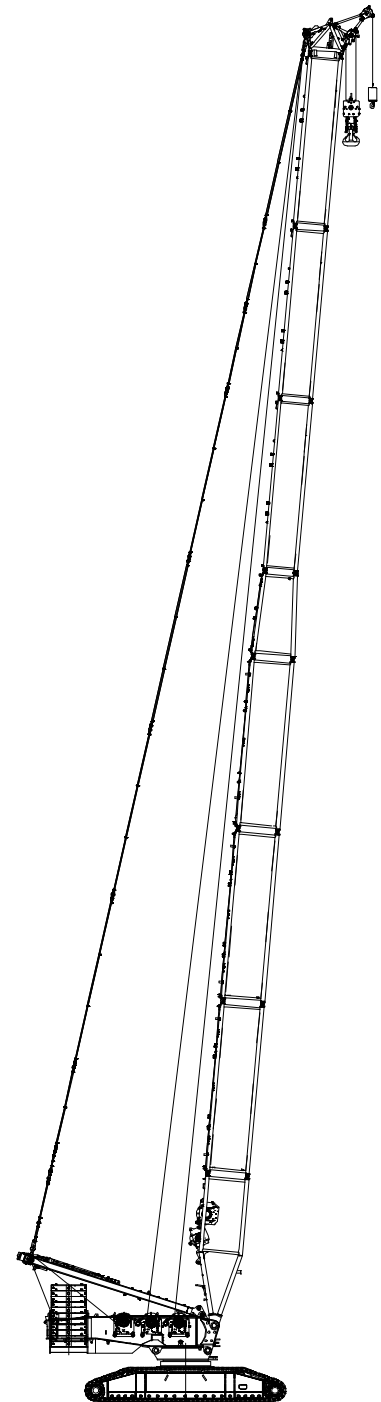


Load Chart of HDB Configuration

HDB Configuration													
Boom length 42~108m, Superlift radius 30m, Superlift counterweight 450t, Rear counterweight 250t, Carbody counterweight 90t													
BL/R (m)	42	48	54	60	66	72	78	84	90	96	102	108	BL/R (m)
8	1250*												8
9	1250*	1186*	1038*										9
10	1250*	1186*	1038*	925*	848*								10
11	1250*	1186*	1038*	925*	848*	771*	693*						11
12	1250*	1186*	1038*	925*	848*	771*	693*	654*	615*				12
13	1222*	1186*	1038*	925*	848*	771*	693*	654*	615*	575*	535*		13
14	1222*	1186*	1038*	925*	848*	771*	693*	654*	615*	575*	535*	495*	14
15	1144*	1141*	1038*	925*	848*	771*	693*	654*	615*	575*	535*	495*	15
16	1073	1070	1038*	925*	848*	771*	732*	654*	615*	575*	535*	495*	16
17	1010	1007	1005	962*	848*	771*	732*	654*	615*	575*	535*	495*	17
18	954	950	949	946	848*	771*	732*	654*	615*	575*	535*	495*	18
19	903	900	898	896	848*	771*	732*	654*	615*	575*	535*	495*	19
20	857	854	852	850	847	771*	732*	654*	615*	575*	535*	495*	20
22	776	773	772	770	767	765	732	654*	615*	575*	535*	495*	22
24	704	701	700	697	695	693	691	654	615*	575*	535*	495*	24
26	643	641	639	637	635	632	630	628	615	575*	535*	495*	26
28	592	589	588	585	583	581	579	576	575	573	535	495*	28
30	548	545	543	541	539	536	535	532	531	528	527	524	30
32	509	507	505	502	500	498	496	493	492	489	488	485	32
34	475	473	471	469	466	464	462	459	458	455	454	451	34
36	445	443	441	438	436	434	432	429	428	425	424	421	36
38	418	416	414	412	410	407	405	402	401	399	397	394	38
40		392	390	388	385	383	381	378	377	374	373	370	40
44		350	348	346	344	341	340	337	336	333	332	329	44
48			314	312	310	307	305	302	302	299	297	294	48
52				283	281	278	276	273	272	270	268	265	52
56					256	253	251	249	248	245	244	241	56
60					234	232	230	227	226	223	222	219	60
64						213	211	208	207	205	203	200	64
68							194	192	191	188	187	184	68
72								177	176	173	172	169	72
76									163	160	159	156	76
80									151	148	147	144	80
84										137	136	133	84
88											127	124	88
92												115	92
96												107	96

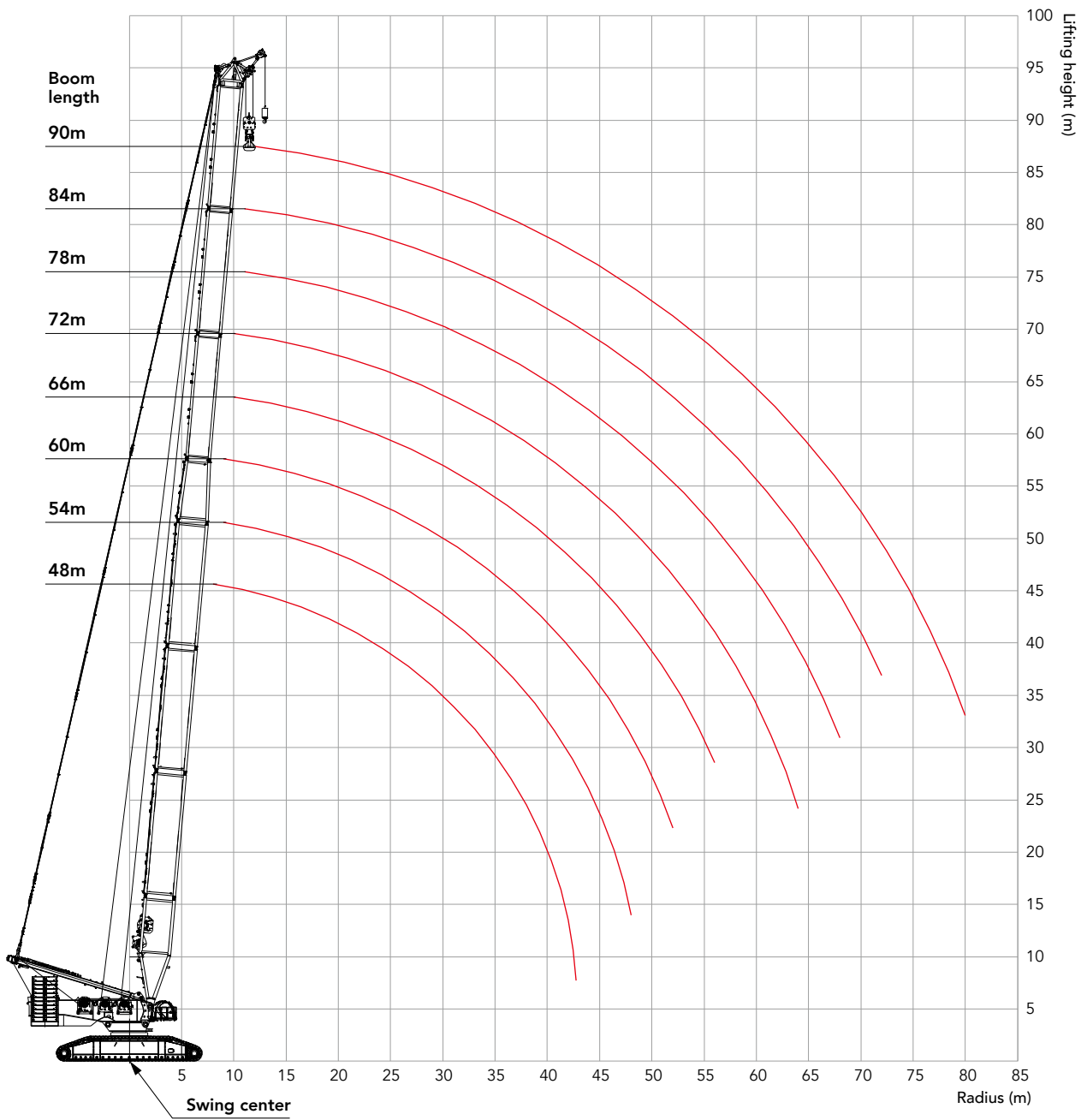
Boom Combination in HJ

Boom Combination in HJ Configuration									
Boom length (m)	Boom insert				Jib insert				
	H2	H6	H8B	H8D	LJ4	LJ6	LJ8A	LJ8B	LJ9
48	1	-	-	1	1	1	1	-	1
54	1	1	-	1	1	1	1	-	1
60	1	-	1	1	1	1	1	-	1
66	1	1	1	1	1	1	1	-	1
72	1	-	2	1	1	1	1	-	1
78	1	-	2	1	1	-	2	-	1
84	1	-	2	1	1	1	2	-	1
90	1	-	2	1	1	-	2	1	1



HJ Configuration
(48m~90m)

Working Range of HJ



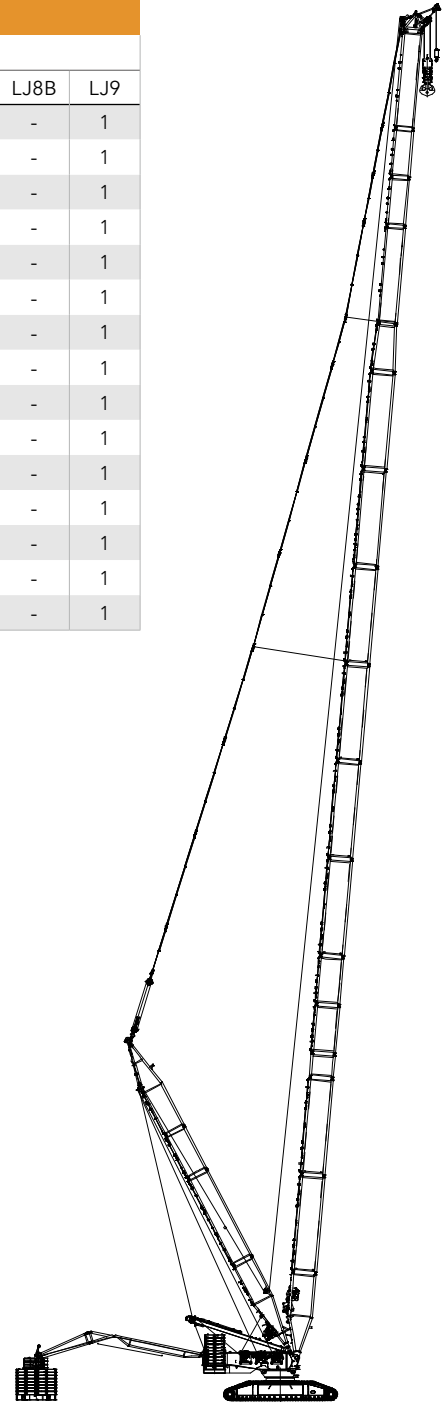
Load Chart of HJ Configuration

HJ Configuration									
Boom length 48~90m, Rear counterweight 250t, Carbody counterweight 90t									
BL/R (m)	48	54	60	66	72	78	84	90	BL/R (m)
8	650								8
9	614	612	609						9
10	541	539	536	534	532				10
11	483	481	478	476	474	472	469		11
12	435	433	431	428	426	424	421	419	12
13	396	394	391	389	386	384	382	380	13
14	363	360	358	356	353	351	348	346	14
15	334	332	330	327	324	322	320	317	15
16	310	307	305	302	300	298	295	293	16
17	288	286	283	281	278	276	273	271	17
18	269	267	264	262	259	257	254	252	18
19	252	250	247	245	242	240	237	235	19
20	237	235	232	230	227	225	222	220	20
22	212	209	207	204	201	199	196	194	22
24	190	188	185	183	180	178	175	172	24
26	172	170	167	165	162	160	157	154	26
28	157	155	152	150	147	144	142	139	28
30	144	142	139	137	134	131	128	126	30
32	133	131	128	125	122	120	117	115	32
34	123	121	118	115	113	110	107	105	34
36	114	112	109	107	104	101	98.8	96.3	36
38	106	104	101	99.2	96.3	93.9	90.9	88.4	38
40	99.6	97.3	94.7	92.1	89.2	86.9	83.9	81.4	40
44	87.1	84.9	82.4	79.8	77.0	74.7	71.6	69.2	44
48		74.6	72.1	69.6	66.8	64.5	61.5	59.0	48
52			63.4	61.0	58.2	55.9	52.9	50.4	52
56				53.5	50.7	48.5	45.5	43.0	56
60					44.3	42.1	39.1	36.6	60
64					38.6	36.4	33.5	31.0	64
68						31.4	28.5	26.1	68
72							24.0	21.6	72
76								17.7	76
80								14.1	80
84									84
88									88
92									92

Boom Combination in HJDB

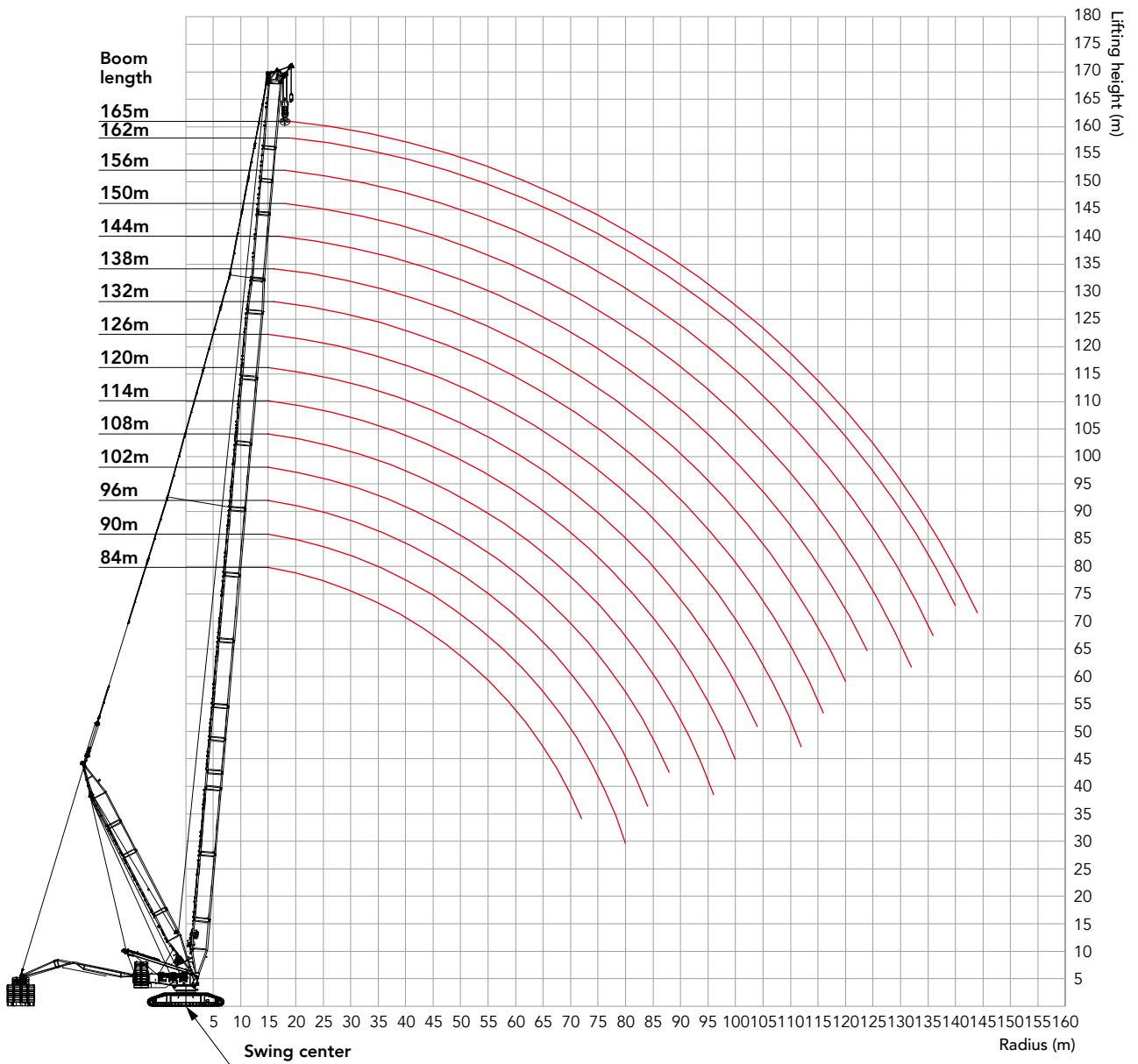
Boom Combination in HJDB Configuration													
Boom length (m)	Boom insert							Jib insert					
	H2	H6	H3	H8A	H8B	H8C	H4	H8D	LJ4	LJ6	LJ8A	LJ8B	LJ9
84	1	1	-	2	1	1	1	-	1	-	-	-	1
90	1	2	-	2	1	1	1	-	1	-	-	-	1
96	1	1	-	2	2	2	1	-	1	-	-	-	1
102	1	2	-	2	2	1	1	-	1	-	-	-	1
108	1	1	-	2	2	2	1	-	1	-	-	-	1
114	1	2	-	2	2	1	1	-	1	-	-	-	1
120	1	1	-	2	2	2	1	1	1	-	-	-	1
126	1	2	-	2	2	2	1	1	1	-	-	-	1
132	1	2	-	2	2	2	1	1	1	1	-	-	1
138	1	2	-	2	2	2	1	1	1	-	1	-	1
144	1	2	-	2	2	2	1	1	1	1	1	-	1
150	1	2	-	2	2	2	1	1	1	2	1	-	1
156	1	2	-	2	2	2	1	1	1	1	2	-	1
162	1	2	-	2	2	2	1	1	1	2	2	-	1
165	1	2	1	2	2	2	1	1	1	2	2	-	1

Note: For boom length of 138m~165m, the mid-point suspension cable must be used, otherwise, the boom system may break.



HJDB Configuration
(84m~165m)

Working Range of HJDB

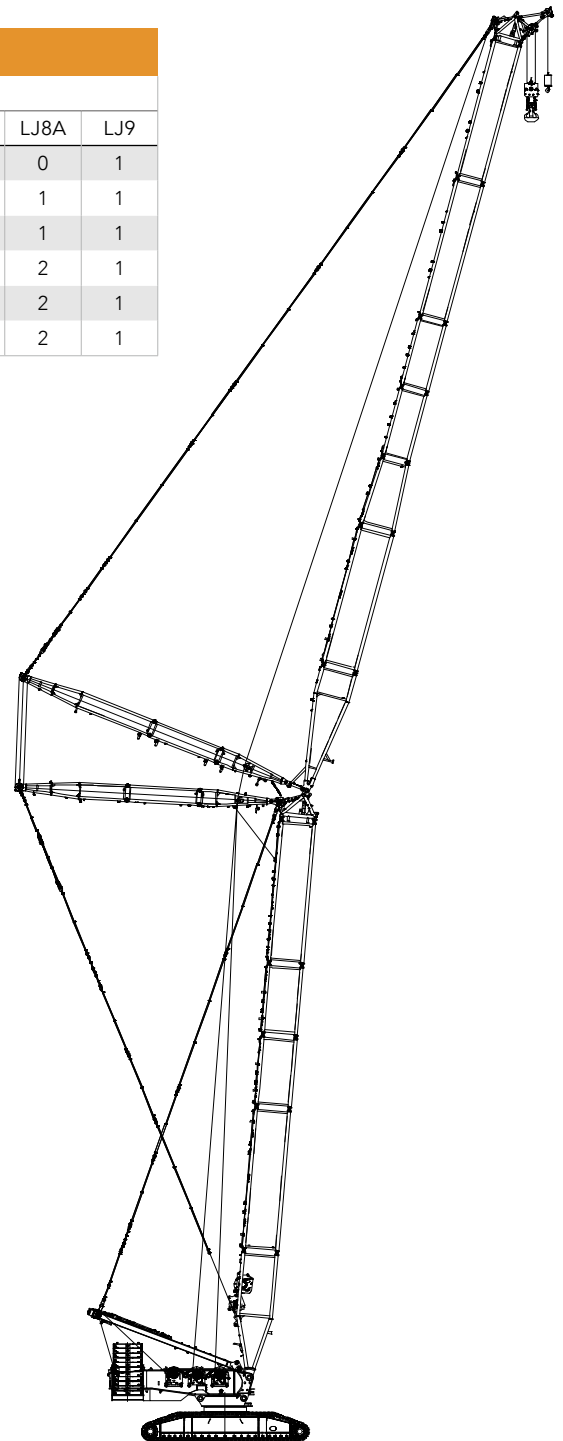


Load Chart of HJDB Configuration

HJDB Configuration																
Boom length 84~165m, Superlift radius 30m, Superlift counterweight 450t, Rear counterweight 250t, Carbody counterweight 90t																
BL/R (m)	84	90	96	102	108	114	120	126	132	138	144	150	156	162	165	BL/R (m)
11	650*															11
12	650*	615*														12
13	650*	615*	575*	535*												13
14	650*	615*	575*	535*	495*	455*										14
15	650*	615*	575*	535*	495*	455*	419*	378*								15
16	650*	615*	575*	535*	495*	455*	419*	380*	338*	303*						16
17	650*	615*	575*	535*	495*	455*	419*	380*	339*	303*	271*	243*				17
18	650*	615*	575*	535*	495*	479*	418*	379*	339*	305*	272*	243*	220*	195*		18
19	650*	615*	575*	535*	495*	479*	420*	379*	338*	305*	272*	244*	219*	195*	187*	19
20	650*	615*	575*	535*	495*	481*	420*	380*	339*	304*	273*	244*	219*	194*	186*	20
22	650*	615*	575*	535*	495*	480*	421*	381*	340*	306*	273*	244*	219*	193*	185*	22
24	650	615*	575*	535*	495*	481*	421*	380*	340*	305*	273*	245*	219*	192*	184*	24
26	637	615	575*	535*	495*	482*	422*	380*	340*	306*	274*	245*	218*	191*	183*	26
28	586	583	575	535*	495*	483*	421*	380*	340*	306*	273*	244*	217*	190*	182*	28
30	542	538	537	533	531	483*	421*	380*	340*	305*	273*	244*	216*	189*	181*	30
32	503	500	499	494	493	483	421*	380*	339*	306*	274*	243*	214*	187*	180*	32
34	469	466	465	460	459	456	421*	380*	339*	306*	274*	241*	213*	186*	178*	34
36	439	436	435	430	429	425	420	379*	338*	306*	274*	240*	212*	185*	177*	36
38	412	409	408	403	402	399	398	381	335*	306*	272*	239*	210*	183*	176*	38
40	388	385	384	379	378	375	374	371	333*	306*	271*	237*	209*	182*	175*	40
44	347	344	343	338	336	333	333	330	328	304	268*	235*	206*	179*	172*	44
48	313	309	308	304	302	299	299	295	294	294	265*	232*	203*	176*	169*	48
52	284	280	279	275	273	270	270	266	265	265	261	229*	200*	173*	167*	52
56	259	256	255	250	248	245	245	242	240	240	238	225	197*	170*	164*	56
60	238	234	233	229	227	224	224	220	219	219	217	215	194	167*	161*	60
64	219	216	215	210	208	205	205	202	200	200	198	197	191	164*	158*	64
68	203	199	198	193	192	189	188	185	184	184	182	180	180	161	156*	68
72	188	185	183	179	177	174	174	171	169	169	167	166	165	158	153	72
76		172	170	166	164	161	161	158	156	156	154	153	152	150	149	76
80		160	159	154	152	149	149	146	145	144	142	141	141	139	137	80
84			148	143	142	139	138	135	134	134	132	131	130	128	127	84
88				134	132	129	129	126	124	124	122	121	121	119	117	88
92					123	120	120	117	115	115	113	112	112	110	108	92
96					115	112	112	109	107	107	105	104	104	102	100	96
100						105	104	101	100	100	98.4	97.3	96.9	95.0	93.4	100
104							98.0	94.9	93.6	93.6	91.5	90.4	90.0	88.2	86.6	104
108								88.5	87.2	87.2	85.2	84.1	83.7	81.9	80.3	108
112									81.3	81.3	79.3	78.2	77.9	76.1	74.4	112
116									75.7	75.8	73.8	72.7	72.4	70.6	69.0	116
120										70.7	68.7	67.6	67.3	65.5	63.9	120
124											63.8	62.8	62.5	60.7	59.1	124
128												58.3	58.0	56.2	54.6	128
132												54.1	53.8	52.0	50.4	132
136													49.8	48.0	46.4	136
140														44.3	42.7	140
144															39.1	144

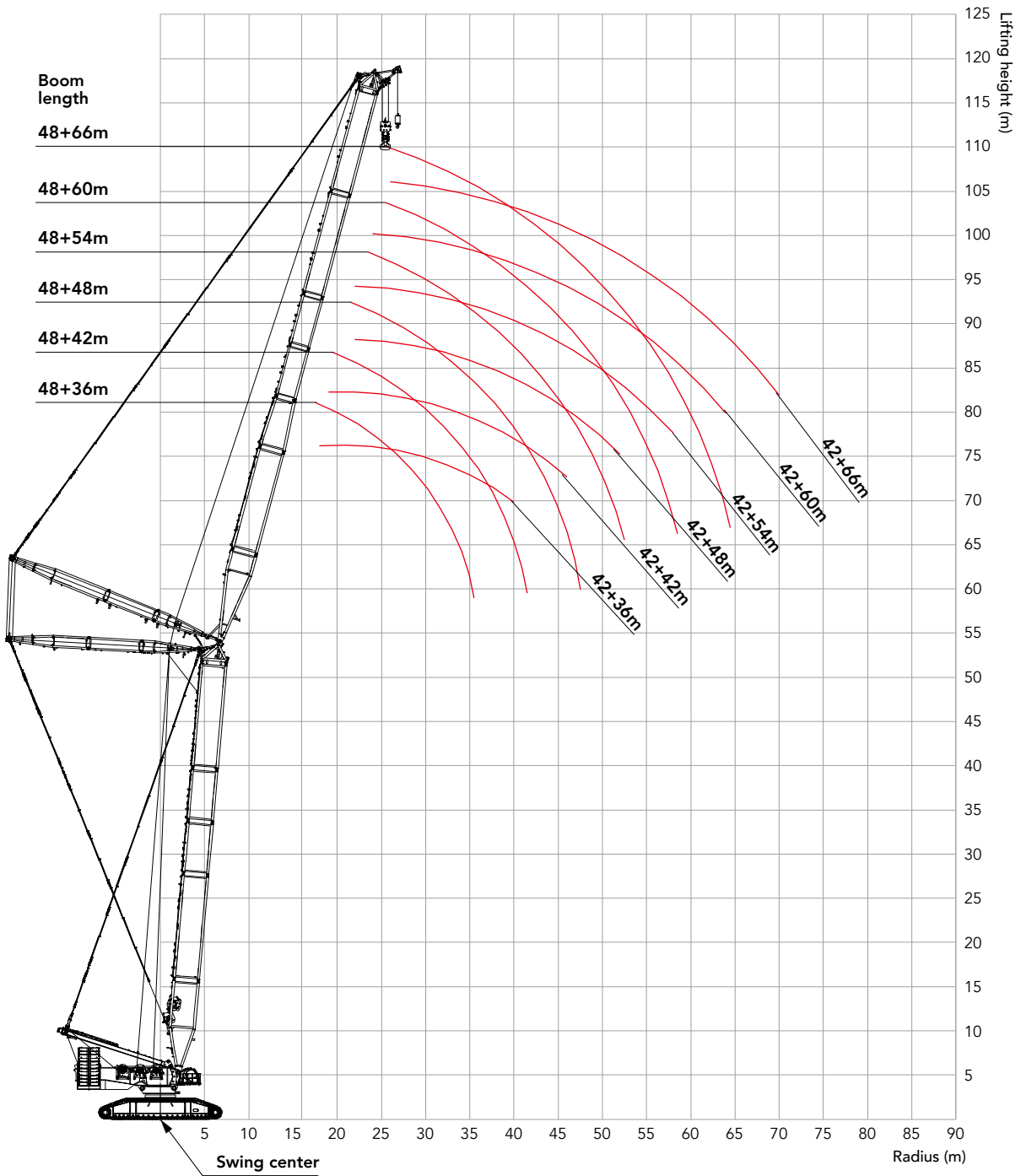
Boom Combination in LJ

Boom Combination in LJ Configuration											
Boom length (m)	Boom insert					Jib insert					
	H2	H6	H8A	H4	H9	LJ2	H8D	LJ4	LJ6	LJ8A	LJ9
36	-	-	-	-	-	1	1	1	1	0	1
42	1	1	1	1	1	1	1	1	0	1	1
48	1	2	1	1	1	1	1	1	1	1	1
54	-	-	-	-	-	1	1	1	0	2	1
60	-	-	-	-	-	1	1	1	1	2	1
66	-	-	-	-	-	1	1	1	2	2	1



LJ Configuration
(42~48) + (36~66)

Working Range of LJ



Load Chart of LJ Configuration

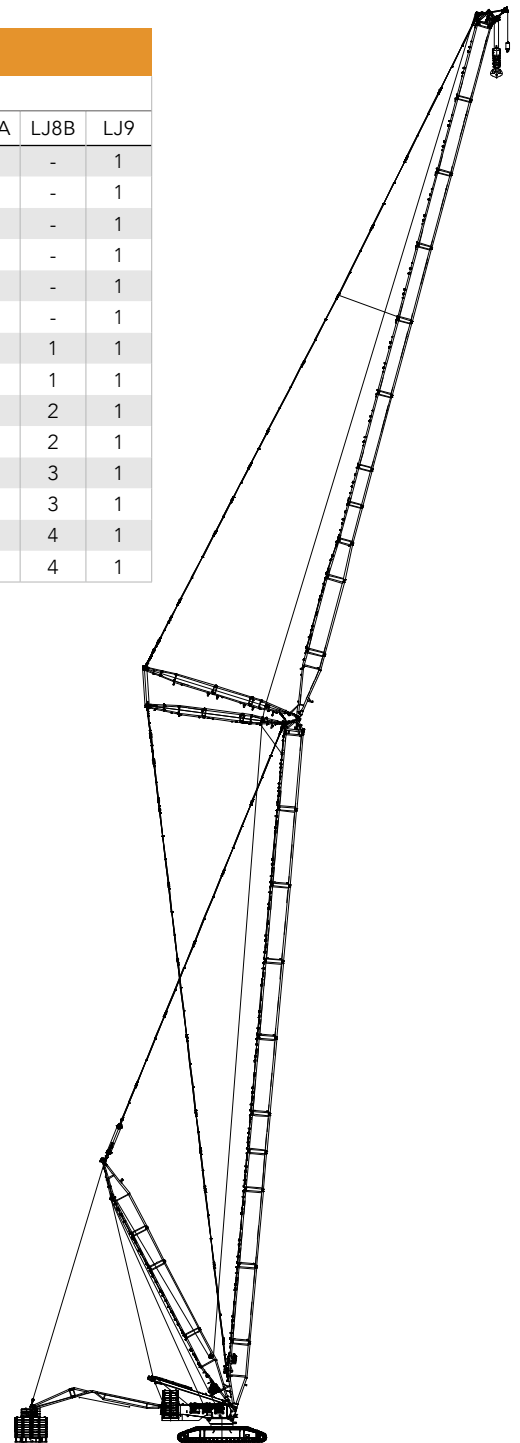
LJ Configuration 1/2							
Boom length 42m, Boom angle 85°, Jib length 36-66m, Rear counterweight 250t, Carbody counterweight 90t.							
BL/R (m)	36	42	48	54	60	66	BL/R (m)
16							16
17							17
18	284						18
19	267	266					19
20	251	250					20
22	225	224	222	221			22
24	204	203	201	200	198		24
26	185	185	183	182	180	179	26
28	170	169	167	166	164	164	28
30	156	156	154	153	151	150	30
32	145	144	142	142	140	139	32
34	134	134	132	131	129	129	34
36	125	125	123	122	120	120	36
38	117	117	115	114	112	112	38
40	109	109	108	107	105	104	40
42		102	101	101	99.1	98.4	42
44		96.7	95.6	95.0	93.2	92.5	44
46		90.9	90.1	89.5	87.8	87.1	46
48			85.0	84.6	82.8	82.2	48
50			80.2	80.0	78.3	77.7	50
52			75.7	75.7	74.1	73.5	52
54				71.7	70.2	69.6	54
56				67.9	66.5	66.0	56
58				64.3	63.1	62.7	58
60					59.8	59.5	60
62					56.7	56.5	62
64					53.7	53.7	64
66						51.0	66
68						48.4	68
70						45.9	70
72							72
74							74
76							76
78							78
80							80
82							82
84							84
86							86

Load Chart of LJ Configuration

LJ Configuration 2/2							
Boom length 48m, Boom angle 85°, Jib length 36-66m, Rear counterweight 250t, Carbody counterweight 90t.							
BL/R (m)	36	42	48	54	60	66	BL/R (m)
17							17
18	281						18
19	264						19
20	249	248					20
22	223	222	220				22
24	201	201	199	198	195		24
26	183	183	181	180	178	177	26
28	168	167	165	164	162	162	28
30	155	154	152	151	149	148	30
32	143	143	141	140	138	137	32
34	133	132	131	130	128	127	34
36	124	123	122	121	119	118	36
38	115	115	114	113	111	110	38
40	108	108	106	106	104	103	40
42		101	100	99.7	97.8	97.1	42
44		95.6	94.4	93.8	91.9	91.2	44
46		89.9	89.0	88.4	86.6	85.9	46
48			83.9	83.4	81.7	81.0	48
50			79.2	78.9	77.1	76.5	50
52			74.8	74.6	73.0	72.4	52
54				70.7	69.1	68.6	54
56				67.0	65.5	65.0	56
58				63.4	62.1	61.7	58
60					58.9	58.5	60
62					55.9	55.6	62
64					52.9	52.8	64
66						50.2	66
68						47.6	68
70						45.2	70
72							72
74							74
76							76
78							78
80							80
82							82
84							84
86							86
88							88

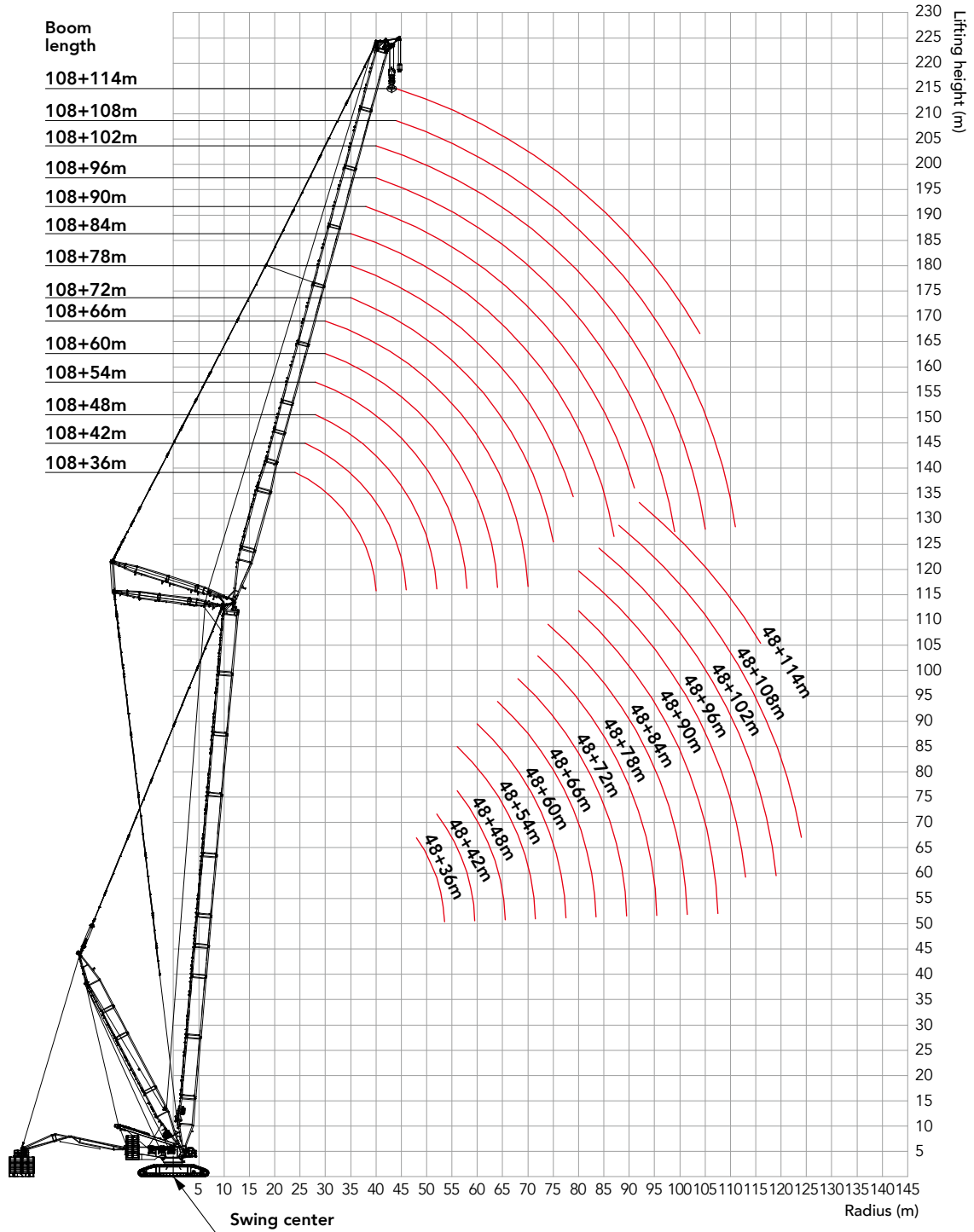
Boom Combination in LJDB

Boom Combination in LJDB Configuration														
Boom length (m)	Boom insert							Jib insert						
	H2	H6	H8A	H8B	H8C	H4	H9	LJ2	H8D	LJ4	LJ6	LJ8A	LJ8B	LJ9
36	-	-	-	-	-	-	-	1	1	1	1	0	-	1
42	-	-	-	-	-	-	-	1	1	1	0	1	-	1
48	1	2	1	-	-	1	1	1	1	1	1	1	-	1
54	1	1	2	-	-	1	1	1	1	1	0	2	-	1
60	1	2	2	-	-	1	1	1	1	1	1	2	-	1
66	1	1	2	1	-	1	1	1	1	1	2	2	-	1
72	1	2	2	1	-	1	1	1	1	1	1	2	1	1
78	1	1	2	2	-	1	1	1	1	1	2	2	1	1
84	1	2	2	2	-	1	1	1	1	1	1	2	2	1
90	1	1	2	2	1	1	1	1	1	1	2	2	2	1
96	1	2	2	2	1	1	1	1	1	1	1	2	3	1
102	1	1	2	3	2	1	1	1	1	1	2	2	3	1
108	1	2	2	3	2	1	1	1	1	1	1	2	4	1
114	-	-	-	-	-	-	-	1	1	1	2	2	4	1



LJDB Configuration
(42~108) + (36~114)

Working Range of LJDB



Load Chart of LJDB Configuration

LJDB Configuration 1/11															
Boom length 48m, Boom angle 85°, Jib length 36-114m, Superlift radius 30m, Superlift counterweight 450t, Rear counterweight 250t, Carbody counterweight 90t.															
BL/R (m)	36	42	48	54	60	66	72	78	84	90	96	102	108	114	BL/R (m)
17															17
18	654*														18
19	654*														19
20	643*	577*													20
22	605*	548*	491*												22
24	561*	514*	467*	420*	372*										24
26	516*	483*	446*	403*	362*	322*									26
28	475*	450*	420*	385*	348*	312*	278*								28
30	434*	418*	394*	366*	335*	304*	272*	241*							30
32	398*	385*	371*	348*	320*	293*	265*	236*	210*	181*					32
34	361*	355*	344*	329*	306*	282*	256*	231*	207*	180*	153*				34
36	329*	329*	320*	309*	291*	270*	248*	224*	202*	179*	152*	131*			36
38	300*	302*	300*	290*	275*	257*	238*	217*	197*	176*	151*	130*	109*	94.4*	38
40	275*	278*	276*	271*	259*	246*	229*	210*	191*	173*	149*	128*	108*	93.2*	40
44		233*	238*	237*	230*	221*	209*	195*	180*	164*	147*	126*	106*	90.8*	44
48			204*	206*	204*	199*	190*	180*	167*	155*	141*	123*	103*	88.5*	48
52			174*	178*	180*	178*	172*	165*	155*	145*	133*	120*	100*	86.0*	52
56				154*	157*	157*	155*	151*	143*	135*	125*	115*	98.2*	83.4*	56
60					139*	140*	139*	136*	132*	125*	117*	108*	87.7*	75.2*	60
64					121*	124*	124*	124*	120*	115*	109*	100*	78.3*	65.3*	64
68						110*	111*	111*	109*	106*	101*	89.8*	68.8*	57.0*	68
72							99.5*	100*	99.8*	97.4*	94.1*	80.4*	61.1*	48.7*	72
76							88.4*	90.2*	90.8*	89.5*	84.6*	71.3*	53.2*	41.2*	76
80								81.5*	81.7*	80.9*	76.9*	63.5*	46.0*	34.7*	80
84									74.2*	74.2*	68.7*	56.4*	39.7*	28.9*	84
88									66.9*	67.5*	62.4*	49.9*	34.0*	23.7*	88
92										61.5*	55.6*	44.2*	28.8*	18.0*	92
96											50.7*	38.9*	23.4*	13.9*	96
100												34.1*	18.7*	9.4*	100
104												29.0*	14.9*	5.3*	104
108													10.9*	1.7*	108

Load Chart of LJDB Configuration

LJDB Configuration 2/11															
Boom length 54m, Boom angle 85°, Jib length 36-114m, Superlift radius 30m, Superlift counterweight 450t, Rear counterweight 250t, Carbody counterweight 90t.															
BL/R (m)	36	42	48	54	60	66	72	78	84	90	96	102	108	114	BL/R (m)
17															17
18															18
19	607*														19
20	589*	528*													20
22	554*	503*	454*												22
24	514*	475*	432*	389*											24
26	473*	446*	412*	376*	337*	301*									26
28	436*	415*	389*	357*	325*	294*	262*								28
30	400*	386*	365*	340*	311*	284*	257*	229*							30
32	367*	356*	340*	323*	297*	274*	248*	223*	201*						32
34	336*	328*	319*	303*	283*	264*	240*	217*	195*	172*	147*				34
36	305*	304*	297*	285*	268*	252*	232*	211*	191*	171*	146*	126*			36
38	278*	278*	276*	267*	256*	241*	222*	205*	187*	168*	145*	125*	106*		38
40	253*	256*	254*	249*	241*	229*	213*	197*	181*	165*	144*	124*	105*	90.1*	40
44		217*	219*	219*	213*	206*	195*	183*	169*	155*	141*	121*	102*	88.2*	44
48		181*	187*	189*	187*	183*	176*	168*	157*	145*	134*	119*	100*	86.0*	48
52			161*	163*	164*	163*	158*	153*	145*	136*	125*	115*	98.1*	83.7*	52
56				142*	144*	144*	142*	139*	133*	126*	117*	109*	95.7*	81.4*	56
60					126*	127*	128*	126*	121*	116*	109*	102*	89.7*	76.0*	60
64					110*	113*	113*	112*	110*	106*	101*	95.8*	79.6*	66.4*	64
68						100*	101*	102*	100*	97.7*	94.0*	88.8*	69.6*	57.5*	68
72							90.6*	91.8*	90.6*	89.2*	86.0*	81.0*	61.6*	49.9*	72
76							80.3*	82.4*	81.9*	80.9*	79.4*	72.4*	53.6*	42.3*	76
80								73.8*	74.3*	73.6*	72.5*	65.0*	47.2*	35.7*	80
84									66.6*	67.2*	66.3*	57.8*	40.7*	29.8*	84
88									60.2*	60.4*	60.3*	51.3*	35.0*	23.9*	88
92										54.9*	55.3*	44.5*	29.0*	19.2*	92
96											50.2*	39.2*	24.3*	14.0*	96
100											45.4*	34.3*	19.4*	9.5*	100
104												30.0*	15.6*	5.3*	104
108													11.5*	1.7*	108
112													7.8*		112

Load Chart of LJDB Configuration

LJDB Configuration 3/11															
Boom length 60m, Boom angle 85°, Jib length 36-114m, Superlift radius 30m, Superlift counterweight 450t, Rear counterweight 250t, Carbody counterweight 90t.															
BL/R (m)	36	42	48	54	60	66	72	78	84	90	96	102	108	114	BL/R (m)
18															18
19	554*														19
20	541*														20
22	506*	463*	418*												22
24	473*	437*	401*	362*											24
26	436*	411*	380*	347*	315*										26
28	402*	383*	358*	332*	303*	275*									28
30	369*	356*	336*	316*	290*	266*	241*	216*							30
32	340*	328*	316*	298*	277*	257*	233*	211*	190*						32
34	308*	304*	294*	281*	263*	246*	225*	205*	185*	165*					34
36	284*	281*	274*	265*	250*	235*	217*	199*	181*	163*	140*	121*			36
38	258*	258*	254*	248*	236*	223*	208*	192*	176*	159*	139*	120*	102*		38
40	235*	238*	237*	232*	222*	212*	200*	185*	171*	155*	138*	119*	101*	87.1*	40
44		199*	202*	201*	197*	190*	182*	171*	158*	146*	133*	117*	99.4*	85.2*	44
48		170*	173*	174*	173*	170*	164*	156*	147*	136*	126*	115*	97.3*	83.2*	48
52			148*	151*	151*	151*	147*	142*	135*	127*	118*	109*	95.1*	81.2*	52
56				131*	132*	133*	131*	128*	123*	116*	110*	102*	92.9*	79.1*	56
60				113*	116*	117*	117*	115*	112*	108*	102*	95.7*	88.5*	76.5*	60
64					101*	103*	104*	103*	101*	98.7*	93.8*	89.0*	80.5*	67.2*	64
68						92.0*	92.5*	93.6*	92.0*	89.6*	86.7*	82.4*	70.9*	58.8*	68
72							82.1*	83.9*	82.7*	81.5*	79.6*	76.1*	62.4*	50.3*	72
76							73.4*	74.5*	74.6*	73.7*	72.8*	69.9*	54.9*	43.4*	76
80								66.8*	67.4*	66.8*	66.2*	64.1*	47.6*	36.7*	80
84									60.4*	60.3*	60.4*	58.2*	41.1*	30.6*	84
88									54.0*	54.4*	54.8*	51.6*	35.2*	24.7*	88
92										49.3*	49.4*	45.6*	29.9*	19.4*	92
96											44.8*	40.3*	25.1*	15.2*	96
100											40.5*	35.4*	20.2*	10.5*	100
104												30.1*	15.7*	6.3*	104
108													11.6*	2.6*	108
112													8.4*		112

Load Chart of LJDB Configuration

LJDB Configuration 4/11															
Boom length 66m, Boom angle 85°, Jib length 36-114m, Superlift radius 30m, Superlift counterweight 450t, Rear counterweight 250t, Carbody counterweight 90t.															
BL/R (m)	36	42	48	54	60	66	72	78	84	90	96	102	108	114	BL/R (m)
18															18
19															19
20	491*														20
22	463*	423*													22
24	433*	400*	367*	333*											24
26	403*	376*	350*	320*	290*										26
28	370*	351*	330*	306*	280*	255*									28
30	343*	326*	310*	292*	268*	247*	224*								30
32	314*	304*	292*	275*	256*	238*	217*	197*	178*						32
34	289*	280*	271*	260*	244*	228*	209*	192*	173*	155*					34
36	264*	259*	253*	244*	231*	217*	202*	186*	169*	153*	133*				36
38	241*	240*	235*	229*	218*	208*	194*	179*	164*	150*	132*	114*	97.2*		38
40	221*	220*	220*	214*	206*	197*	185*	172*	159*	146*	131*	113*	96.4*	82.8*	40
44		187*	188*	187*	182*	177*	168*	159*	148*	137*	125*	112*	94.8*	81.3*	44
48		158*	162*	162*	161*	157*	152*	145*	137*	127*	118*	108*	93.0*	79.6*	48
52			139*	140*	140*	139*	135*	131*	126*	118*	110*	102*	91.4*	77.8*	52
56				122*	123*	123*	121*	118*	114*	109*	102*	95.9*	88.0*	75.9*	56
60				106*	107*	108*	108*	106*	104*	99.6*	95.1*	88.9*	83.2*	74.2*	60
64					94.4*	95.8*	95.8*	95.4*	94.2*	90.8*	87.4*	82.6*	77.5*	67.9*	64
68						84.5*	85.1*	86.1*	84.4*	82.2*	79.9*	76.4*	72.0*	59.2*	68
72						74.8*	75.8*	77.1*	76.5*	74.6*	73.2*	70.4*	63.1*	51.6*	72
76							67.3*	68.3*	68.9*	67.4*	66.7*	64.3*	55.5*	43.8*	76
80								61.3*	61.5*	60.9*	60.5*	58.8*	48.8*	37.0*	80
84								54.4*	54.9*	55.4*	55.0*	53.4*	42.1*	30.9*	84
88									49.1*	49.9*	49.7*	48.6*	36.2*	25.4*	88
92										44.5*	44.7*	44.4*	30.8*	20.1*	92
96											40.4*	40.0*	25.2*	15.3*	96
100											36.6*	35.4*	20.3*	10.6*	100
104												31.0*	16.3*	6.3*	104
108													12.2*	2.6*	108
112													9.0*		112

Load Chart of LJDB Configuration

LJDB Configuration 5/11															
Boom length 72m, Boom angle 85°, Jib length 36-114m, Superlift radius 30m, Superlift counterweight 450t, Rear counterweight 250t, Carbody counterweight 90t.															
BL/R (m)	36	42	48	54	60	66	72	78	84	90	96	102	108	114	BL/R (m)
19															19
20	448*														20
22	425*	389*													22
24	398*	368*	340*												24
26	370*	347*	325*	297*	270*										26
28	343*	327*	306*	284*	261*	239*									28
30	318*	304*	289*	270*	250*	231*	210*								30
32	292*	281*	270*	256*	238*	221*	204*	185*							32
34	269*	262*	253*	242*	227*	213*	197*	180*	164*	147*					34
36	247*	243*	236*	228*	215*	203*	189*	175*	159*	144*	126*				36
38	226*	224*	220*	213*	203*	193*	181*	169*	155*	141*	126*	109*			38
40	207*	205*	203*	199*	193*	184*	173*	162*	150*	137*	125*	108*	92.4*	79.1*	40
44	175*	175*	176*	174*	169*	164*	157*	149*	139*	129*	118*	107*	91.0*	77.8*	44
48		149*	150*	151*	149*	147*	141*	135*	128*	119*	111*	102*	89.5*	76.3*	48
52			130*	131*	131*	130*	126*	123*	117*	110*	104*	96.5*	87.9*	74.9*	52
56				113*	114*	114*	112*	110*	106*	101*	96.0*	90.3*	83.4*	73.3*	56
60				98.2*	100*	101*	100*	99.5*	96.1*	92.5*	88.5*	83.1*	77.9*	71.6*	60
64					87.7*	89.0*	89.2*	88.6*	86.5*	84.4*	81.2*	77.2*	72.1*	67.2*	64
68						78.3*	79.2*	78.9*	78.1*	76.2*	74.1*	70.5*	66.9*	60.2*	68
72						68.9*	70.1*	70.5*	69.9*	69.0*	67.2*	64.9*	61.9*	52.1*	72
76							62.1*	63.2*	62.7*	62.0*	61.0*	59.4*	56.3*	45.0*	76
80								56.1*	56.5*	55.9*	55.1*	54.1*	49.2*	38.0*	80
84								49.7*	50.6*	50.4*	49.9*	49.1*	42.4*	31.8*	84
88									45.0*	44.9*	45.1*	44.2*	36.5*	25.6*	88
92										40.6*	40.8*	40.4*	31.0*	20.8*	92
96										36.2*	36.7*	36.3*	26.1*	15.9*	96
100											32.9*	32.6*	21.0*	11.6*	100
104												29.4*	17.0*	7.3*	104
108													12.8*	3.5*	108
112													9.0*		112

Load Chart of LJDB Configuration

LJDB Configuration 6/11															
Boom length 78m, Boom angle 85°, Jib length 36-114m, Superlift radius 30m, Superlift counterweight 450t, Rear counterweight 250t, Carbody counterweight 90t.															
BL/R (m)	36	42	48	54	60	66	72	78	84	90	96	102	108	114	BL/R (m)
19															19
20															20
22	388*	354*													22
24	364*	337*	310*												24
26	342*	319*	297*	274*											26
28	317*	299*	282*	262*	240*										28
30	295*	280*	265*	249*	232*	214*	194*								30
32	271*	262*	249*	236*	221*	205*	189*	172*							32
34	250*	242*	234*	223*	210*	197*	182*	168*	152*						34
36	230*	224*	218*	210*	199*	188*	175*	162*	148*	135*	119*				36
38	211*	208*	203*	197*	188*	179*	168*	157*	144*	132*	118*	102*			38
40	193*	192*	190*	185*	178*	171*	160*	151*	139*	128*	117*	101*	87.1*		40
44	164*	165*	164*	162*	158*	153*	145*	138*	129*	120*	111*	101*	86.0*	73.6*	44
48		140*	140*	141*	138*	136*	131*	125*	119*	111*	104*	96.0*	84.7*	72.4*	48
52			121*	122*	122*	120*	117*	113*	109*	102*	96.9*	90.2*	82.9*	71.0*	52
56			104*	106*	106*	106*	104*	102*	99.0*	94.6*	89.2*	83.4*	77.7*	69.6*	56
60				92.3*	93.1*	94.0*	93.1*	91.5*	89.0*	85.9*	82.2*	77.7*	72.7*	67.0*	60
64					81.6*	82.8*	83.0*	82.2*	80.3*	78.1*	75.3*	71.1*	67.3*	62.5*	64
68						73.2*	72.9*	73.2*	72.4*	70.4*	68.0*	65.2*	62.2*	58.2*	68
72						64.4*	65.1*	65.4*	64.7*	63.7*	62.1*	59.4*	57.1*	52.6*	72
76							57.6*	58.3*	58.0*	57.1*	56.5*	54.3*	52.1*	45.1*	76
80								51.6*	51.9*	51.4*	50.9*	49.4*	47.7*	38.6*	80
84								46.0*	46.4*	45.9*	46.0*	44.6*	43.5*	32.7*	84
88									41.3*	41.3*	41.3*	40.6*	37.2*	26.5*	88
92										36.7*	37.3*	36.6*	31.2*	21.0*	92
96										32.8*	33.5*	32.7*	26.3*	16.6*	96
100											29.7*	29.5*	21.8*	11.7*	100
104												26.3*	17.2*	7.4*	104
108												23.4*	12.9*	3.5*	108
112													9.6*	0.4*	112

Load Chart of LJDB Configuration

LJDB Configuration 7/11															
Boom length 84m, Boom angle 85°, Jib length 36-114m, Superlift radius 30m, Superlift counterweight 450t, Rear counterweight 250t, Carbody counterweight 90t.															
BL/R (m)	36	42	48	54	60	66	72	78	84	90	96	102	108	114	BL/R (m)
20															20
22	357*														22
24	337*	311*	287*												24
26	316*	295*	276*	253*											26
28	294*	278*	262*	244*	224*										28
30	273*	261*	247*	232*	214*	199*									30
32	254*	244*	233*	220*	206*	192*	176*	161*							32
34	235*	227*	218*	208*	196*	184*	170*	157*	143*						34
36	216*	210*	204*	197*	187*	176*	164*	152*	140*	127*					36
38	199*	195*	190*	184*	176*	167*	157*	147*	135*	123*	111*	96.7*			38
40	183*	180*	178*	172*	166*	159*	150*	141*	131*	120*	110*	96.4*	82.3*		40
44	155*	155*	153*	151*	147*	143*	136*	129*	121*	113*	104*	95.4*	81.6*	69.6*	44
48		132*	132*	131*	129*	126*	122*	118*	111*	104*	97.5*	90.1*	80.5*	68.6*	48
52			114*	115*	114*	113*	109*	106*	102*	96.3*	90.7*	84.2*	77.9*	67.4*	52
56			98.8*	100*	100*	100*	97.6*	95.9*	92.3*	87.9*	83.6*	78.3*	73.1*	66.2*	56
60				87.2*	87.5*	87.5*	86.9*	85.4*	82.9*	80.3*	76.4*	72.5*	67.6*	63.1*	60
64					76.9*	77.6*	77.5*	76.6*	74.4*	72.2*	69.9*	66.3*	62.9*	58.2*	64
68					67.1*	68.3*	68.3*	68.1*	66.9*	65.6*	63.6*	60.6*	57.5*	54.1*	68
72						60.5*	60.2*	60.8*	60.4*	58.7*	57.4*	55.3*	53.1*	50.1*	72
76							53.4*	53.8*	53.7*	53.1*	51.9*	50.0*	48.4*	45.6*	76
80								47.9*	48.0*	47.1*	46.6*	45.3*	44.0*	38.8*	80
84								42.9*	42.9*	42.5*	42.1*	41.3*	40.0*	32.9*	84
88									38.1*	38.1*	37.6*	36.9*	36.2*	27.1*	88
92										33.9*	34.0*	33.1*	31.8*	22.3*	92
96										30.3*	30.3*	29.9*	26.9*	16.7*	96
100											26.9*	26.5*	21.9*	12.8*	100
104													23.6*	17.9*	104
108													21.2*	14.2*	108
112														10.3*	112

Load Chart of LJDB Configuration

LJDB Configuration 8/11															
Boom length 90m, Boom angle 85°, Jib length 36-114m, Superlift radius 30m, Superlift counterweight 450t, Rear counterweight 250t, Carbody counterweight 90t.															
BL/R (m)	36	42	48	54	60	66	72	78	84	90	96	102	108	114	BL/R (m)
20															20
22	320*														22
24	305*	281*													24
26	287*	268*	248*	229*											26
28	269*	252*	237*	220*	203*										28
30	251*	237*	224*	211*	195*	181*									30
32	234*	222*	213*	200*	187*	175*	160*								32
34	215*	209*	200*	190*	178*	168*	156*	143*	131*						34
36	201*	193*	187*	179*	170*	161*	149*	139*	128*	116*					36
38	186*	181*	175*	169*	161*	153*	143*	134*	124*	113*	101*				38
40	171*	168*	164*	159*	153*	146*	137*	129*	119*	110*	100*	87.4*	74.9*		40
44	146*	144*	142*	139*	135*	131*	124*	119*	111*	103*	95.5*	86.6*	74.1*	63.3*	44
48		124*	123*	122*	120*	117*	112*	107*	102*	96.1*	89.5*	82.3*	73.2*	62.4*	48
52			107*	107*	105*	104*	100*	97.6*	93.1*	88.4*	82.8*	77.4*	71.3*	61.4*	52
56			93.0*	93.4*	93.4*	92.3*	90.3*	88.3*	84.3*	80.7*	76.6*	71.6*	66.6*	60.3*	56
60				81.6*	81.3*	81.3*	80.2*	79.2*	76.3*	73.1*	70.0*	65.8*	61.7*	57.3*	60
64					71.9*	72.4*	71.3*	70.5*	68.8*	66.3*	64.0*	60.5*	57.5*	53.2*	64
68					62.6*	63.3*	63.6*	62.8*	61.9*	59.7*	57.8*	55.4*	52.6*	49.2*	68
72						56.4*	56.4*	56.2*	55.3*	53.8*	52.6*	50.4*	48.1*	45.3*	72
76							49.6*	50.0*	49.6*	48.1*	47.6*	45.5*	43.9*	41.4*	76
80							44.0*	44.7*	44.1*	43.3*	42.7*	41.3*	40.0*	37.8*	80
84								39.7*	39.5*	38.6*	38.5*	37.2*	36.0*	33.4*	84
88									35.1*	34.6*	34.5*	33.2*	32.6*	27.6*	88
92										30.8*	30.6*	30.1*	29.2*	22.1*	92
96										27.5*	27.4*	26.8*	26.3*	17.3*	96
100											24.3*	23.7*	22.6*	12.8*	100
104												21.1*	18.6*	8.4*	104
108												18.9*	14.2*	4.4*	108
112													10.5*	0.8*	112

Load Chart of LJDB Configuration

LJDB Configuration 9/11															
Boom length 96m, Boom angle 85°, Jib length 36-114m, Superlift radius 30m, Superlift counterweight 450t, Rear counterweight 250t, Carbody counterweight 90t.															
BL/R (m)	36	42	48	54	60	66	72	78	84	90	96	102	108	114	BL/R (m)
22	295*														22
24	281*	259*													24
26	267*	249*	231*												26
28	250*	235*	221*	206*											28
30	234*	221*	209*	196*	182*	168*									30
32	218*	209*	199*	187*	174*	162*	150*								32
34	203*	195*	187*	178*	167*	157*	145*	134*							34
36	189*	182*	176*	168*	159*	150*	139*	130*	120*	107*					36
38	175*	170*	165*	159*	151*	143*	134*	126*	116*	106*	94.1*				38
40	162*	158*	155*	149*	143*	136*	128*	120*	112*	103*	93.8*	81.1*			40
44	139*	136*	134*	132*	127*	123*	117*	110*	103*	97.1*	89.4*	80.4*	69.1*	58.9*	44
48		117*	117*	115*	112*	109*	105*	101*	95.4*	89.8*	84.1*	77.3*	68.3*	58.2*	48
52			102*	100*	99.1*	98.1*	94.8*	91.3*	87.0*	82.5*	77.8*	72.2*	66.9*	57.3*	52
56			88.8*	88.8*	87.9*	87.0*	84.9*	82.0*	79.2*	75.2*	71.5*	67.1*	62.2*	56.2*	56
60				77.2*	76.8*	76.6*	75.4*	74.2*	71.7*	68.3*	65.2*	61.4*	57.7*	53.6*	60
64					67.6*	67.5*	66.6*	66.0*	64.4*	61.8*	59.5*	56.4*	53.4*	49.5*	64
68					59.3*	59.9*	59.4*	58.8*	57.3*	55.5*	54.0*	51.2*	48.9*	45.5*	68
72						52.8*	52.8*	52.6*	51.7*	50.0*	48.6*	46.8*	44.4*	41.8*	72
76							46.5*	46.8*	45.9*	44.7*	43.9*	42.2*	40.7*	38.2*	76
80							41.4*	41.6*	40.8*	40.1*	39.4*	37.8*	36.7*	34.5*	80
84								36.7*	36.5*	35.7*	35.5*	34.0*	33.0*	31.4*	84
88									32.5*	32.0*	31.7*	30.6*	29.7*	28.0*	88
92									28.8*	28.5*	28.1*	27.4*	26.6*	23.3*	92
96										25.2*	25.0*	24.3*	23.8*	17.9*	96
100											22.2*	21.7*	21.2*	13.7*	100
104												19.9*	19.3*	18.8*	104
108													17.0*	14.4*	108
112														11.0*	112

Load Chart of LJDB Configuration

LJDB Configuration 10/11															
Boom length 102m, Boom angle 85°, Jib length 36-114m, Superlift radius 30m, Superlift counterweight 450t, Rear counterweight 250t, Carbody counterweight 90t.															
BL/R (m)	36	42	48	54	60	66	72	78	84	90	96	102	108	114	BL/R (m)
22															22
24	253*	233*													24
26	241*	224*	207*												26
28	228*	214*	199*	185*											28
30	213*	201*	191*	178*	165*										30
32	201*	190*	180*	170*	158*	147*	136*								32
34	187*	178*	171*	162*	152*	142*	131*	122*							34
36	174*	168*	161*	153*	145*	136*	127*	118*	108*						36
38	163*	156*	151*	145*	138*	131*	122*	113*	105*	94.9*	83.4*				38
40	151*	146*	142*	137*	130*	124*	117*	110*	102*	93.9*	83.0*	71.7*			40
44	130*	127*	124*	121*	116*	112*	106*	101*	94.8*	87.5*	81.2*	71.0*	61.1*	51.8*	44
48		110*	108*	107*	103*	100*	96.6*	92.3*	87.1*	81.4*	76.0*	70.0*	60.4*	51.2*	48
52		96.4*	95.5*	94.6*	92.2*	90.4*	87.2*	83.5*	79.4*	75.2*	70.3*	65.5*	59.4*	50.3*	52
56			83.5*	83.0*	81.5*	80.5*	77.6*	75.5*	72.3*	68.6*	64.9*	60.6*	56.4*	49.4*	56
60				72.5*	71.5*	71.1*	69.7*	67.8*	65.5*	62.1*	59.6*	55.6*	52.4*	48.2*	60
64				63.9*	63.1*	63.1*	61.6*	61.1*	58.8*	56.3*	54.0*	50.7*	48.2*	44.5*	64
68					55.4*	55.6*	55.2*	54.6*	52.5*	50.6*	48.9*	46.6*	44.0*	40.8*	68
72						49.3*	48.8*	48.5*	47.4*	45.6*	44.1*	42.0*	40.2*	37.7*	72
76							43.3*	43.3*	42.2*	40.8*	39.8*	38.1*	36.5*	34.2*	76
80							38.2*	38.4*	37.6*	36.6*	35.7*	34.2*	33.0*	30.9*	80
84								34.3*	33.3*	32.8*	32.1*	30.7*	29.6*	28.1*	84
88									29.8*	29.1*	28.7*	27.6*	26.6*	25.0*	88
92									26.5*	26.0*	25.5*	24.4*	23.8*	22.5*	92
96										22.7*	22.5*	21.7*	21.1*	18.5*	96
100											20.0*	19.1*	18.8*	14.0*	100
104											17.6*	16.9*	16.6*	9.7*	104
108												14.9*	14.5*	5.8*	108
112													11.8*	2.1*	112
116													8.2*		116

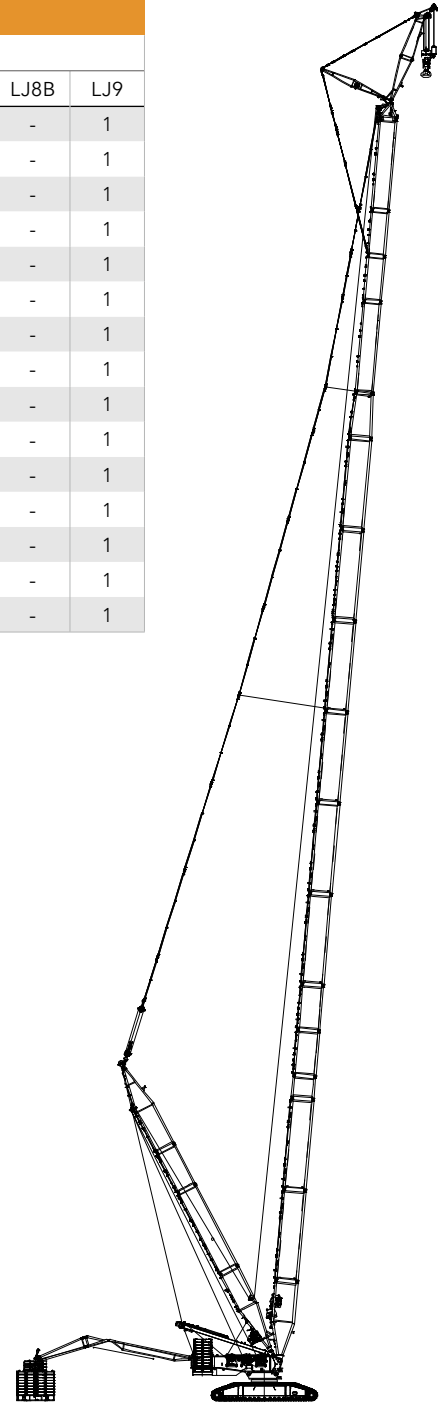
Load Chart of LJDB Configuration

LJDB Configuration 11/11															
Boom length 108m, Boom angle 85°, Jib length 36-114m, Superlift radius 30m, Superlift counterweight 450t, Rear counterweight 250t, Carbody counterweight 90t.															
BL/R (m)	36	42	48	54	60	66	72	78	84	90	96	102	108	114	BL/R (m)
22															22
24	235*														24
26	223*	207*													26
28	211*	198*	185*	172*											28
30	200*	188*	177*	165*	153*										30
32	188*	178*	168*	159*	147*	137*									32
34	175*	168*	159*	151*	141*	132*	123*	113*							34
36	164*	157*	151*	144*	135*	127*	118*	110*	99.3*						36
38	153*	148*	142*	136*	128*	122*	113*	106*	98.2*	86.6*					38
40	143*	138*	133*	129*	122*	116*	109*	102*	95.3*	86.1*	75.7*	65.3*			40
44	124*	120*	117*	114*	109*	105*	99.9*	94.5*	88.2*	81.5*	74.7*	64.6*	55.7*	46.9*	44
48		105*	103*	101*	98.2*	95.3*	90.3*	86.7*	81.5*	76.2*	70.6*	63.6*	54.9*	46.3*	48
52		92.0*	90.1*	89.0*	86.8*	84.8*	81.2*	78.4*	74.2*	69.9*	65.8*	60.7*	54.0*	45.6*	52
56			79.0*	78.5*	76.8*	75.6*	72.8*	70.8*	67.7*	63.7*	60.7*	56.2*	52.6*	44.7*	56
60				68.7*	67.5*	66.9*	64.9*	63.6*	60.8*	58.0*	55.3*	51.5*	48.6*	43.6*	60
64				60.7*	59.6*	59.4*	58.0*	56.7*	55.1*	52.6*	50.1*	47.2*	44.6*	41.1*	64
68					52.5*	52.6*	51.5*	50.7*	49.1*	47.2*	45.7*	43.0*	40.6*	37.9*	68
72						46.7*	45.9*	45.2*	43.9*	42.2*	41.1*	38.6*	36.8*	34.6*	72
76						41.0*	40.8*	40.3*	39.4*	37.7*	36.8*	35.1*	33.7*	31.3*	76
80							36.2*	35.8*	34.9*	33.8*	32.9*	31.7*	30.1*	28.2*	80
84								32.0*	31.3*	30.2*	29.6*	28.1*	27.2*	25.4*	84
88									27.7*	26.8*	26.4*	25.3*	24.4*	22.7*	88
92									24.7*	23.6*	23.2*	22.3*	21.7*	20.4*	92
96										21.0*	20.7*	19.6*	19.2*	17.8*	96
100											18.4*	17.5*	16.9*	14.1*	100
104												16.0*	15.3*	14.7*	104
108													13.2*	13.0*	108
112														11.1*	112
116														8.3*	116

Boom Combination in HJFJDB

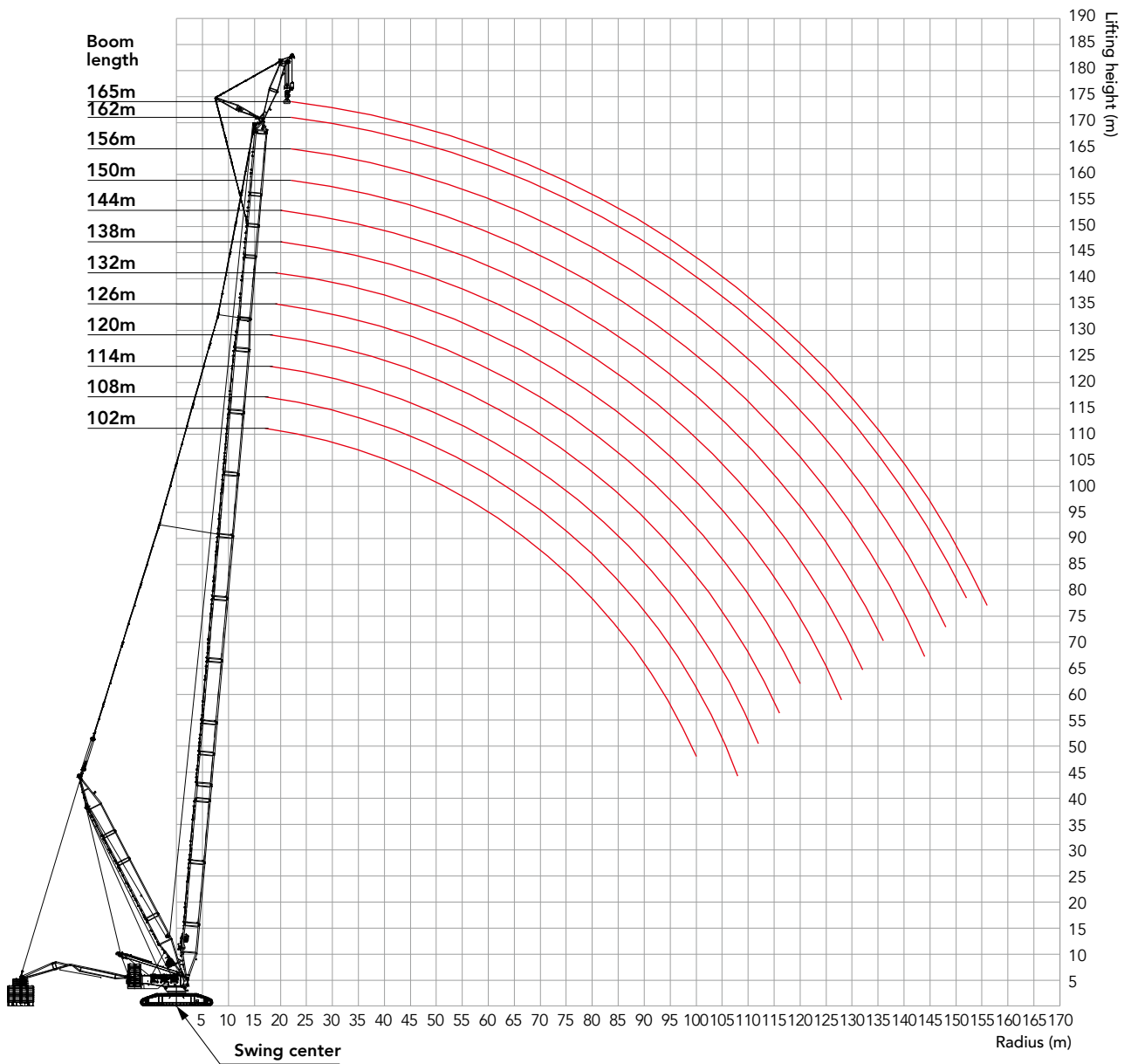
Boom Combination in HJFJDB Configuration													
Boom length (m)	Boom insert							Jib insert					
	H2	H6	H3	H8A	H8B	H8C	H4	H8D	LJ4	LJ6	LJ8A	LJ8B	LJ9
84	1	1	-	2	1	1	1	-	1	-	-	-	1
90	1	2	-	2	1	1	1	-	1	-	-	-	1
96	1	1	-	2	2	2	1	-	1	-	-	-	1
102	1	2	-	2	2	1	1	-	1	-	-	-	1
108	1	1	-	2	2	2	1	-	1	-	-	-	1
114	1	2	-	2	2	1	1	-	1	-	-	-	1
120	1	1	-	2	2	2	1	1	1	-	-	-	1
126	1	2	-	2	2	2	1	1	1	-	-	-	1
132	1	2	-	2	2	2	1	1	1	1	-	-	1
138	1	2	-	2	2	2	1	1	1	-	1	-	1
144	1	2	-	2	2	2	1	1	1	1	1	-	1
150	1	2	-	2	2	2	1	1	1	2	1	-	1
156	1	2	-	2	2	2	1	1	1	1	2	-	1
162	1	2	-	2	2	2	1	1	1	2	2	-	1
165	1	2	1	2	2	2	1	1	1	2	2	-	1

Note: For boom length of 138m~165m, the mid-point suspension cable must be used, otherwise, the boom system may break.



HJFJDB Configuration
(102m~165m) + 12m

Working Range of HJFJDB



Load Chart of HJFJDB Configuration

HJFJDB Configuration													
Boom length 102~165m, Jib length 12m, Boom to jib angle 15°, Superlift radius 30m, Superlift counterweight 450t, Rear counterweight 250t, Carbody counterweight 90t.													
BL/R (m)	102	108	114	120	126	132	138	144	150	156	162	165	BL/R (m)
17	228*	226*											17
18	226*	224*	222*	220*									18
19	224*	221*	221*	218*	217*	214*							19
20	221*	219*	219*	217*	213*	212*	209*	204*					20
22	218*	215*	215*	213*	210*	207*	206*	201*	189*	170*	150*	144*	22
24	213*	213*	210*	209*	206*	204*	203*	198*	190*	169*	149*	144*	24
26	210*	208*	207*	206*	204*	200*	201*	196*	190*	169*	148*	143*	26
28	205*	206*	204*	202*	200*	198*	199*	195*	190*	168*	147*	142*	28
30	202*	201*	199*	199*	197*	195*	196*	192*	188*	167*	146*	141*	30
32	199*	198*	197*	195*	194*	192*	193*	189*	187*	166*	145*	140*	32
34	196*	195*	194*	193*	190*	189*	191*	188*	184*	165*	144*	139*	34
36	192*	190*	190*	189*	188*	185*	188*	185*	183*	164*	143*	138*	36
38	189*	188*	187*	186*	186*	183*	187*	184*	180*	163*	142*	137*	38
40	187*	185*	184*	184*	182*	180*	185*	180*	179*	162*	142*	136*	40
44	180*	179*	179*	179*	177*	174*	180*	176*	175*	160*	139*	134*	44
48	175*	175*	174*	174*	172*	169*	177*	174*	173*	157*	137*	132*	48
52	169*	169*	169*	169*	167*	164*	173*	170*	168*	155*	135*	130*	52
56	165*	166*	163*	164*	162*	160*	170*	167*	166*	153*	132*	128*	56
60	161*	160*	159*	158*	158*	155*	167*	164*	163*	148*	130*	126*	60
64	157*	156*	156*	155*	153*	150*	164*	161*	158*	143*	128*	124*	64
68	152*	152*	150*	151*	150*	147*	160	159	153*	138*	124*	121*	68
72	148*	148*	147*	146*	146*	144*	158	156	149	134*	120*	119*	72
76	144*	144	143	143	141	139	155	152	145	130	116*	117*	76
80	142	140	139	140	138	135	148	147	141	126	113*	115	80
84	137	137	137	136	134	131	138	136	135	124	110	113	84
88	134	134	133	132	129	128	128	126	125	121	107	111	88
92	128	127	124	123	120	119	119	117	116	115	104	109	92
96	120	118	115	115	112	111	111	109	108	107	102	104	96
100	112	111	108	107	104	103	103	101	100	100	98.4	96.8	100
104	105	103	101	100	97.8	96.5	96.4	94.5	93.4	93.0	91.4	89.8	104
108	98.6	97.3	94.5	94.1	91.2	89.9	89.9	87.9	86.9	86.5	84.9	83.3	108
112	92.3	91.1	88.3	88.0	85.1	83.9	83.8	81.9	80.9	80.5	78.9	77.2	112
116		85.2	82.6	82.3	79.5	78.2	78.2	76.3	75.2	74.9	73.2	71.6	116
120		79.6	77.1	76.9	74.1	72.9	72.9	71.0	70.0	69.6	68.0	66.4	120
124			71.9	71.9	69.1	67.9	67.9	66.0	65.0	64.7	63.1	61.4	124
128				67.0	64.3	63.2	63.2	61.4	60.4	60.1	58.4	56.8	128
132				62.3	59.8	58.7	58.8	57.0	56.0	55.7	54.1	52.5	132
136					55.4	54.5	54.6	52.8	51.9	51.6	50.0	48.4	136
140						50.4	50.6	48.8	47.9	47.7	46.1	44.5	140
144						46.3	46.8	45.1	44.2	44.0	42.4	40.8	144
148							43.1	41.5	40.7	40.4	38.9	37.3	148
152								38.0	37.3	37.1	35.6	34.0	152
156								34.5	34.0	33.9	32.4	30.8	156
160									30.8	30.8	29.3	27.8	160
164										27.7	26.4	24.9	164
168										24.7	23.5	22.0	168
172											20.7	19.3	172
176												16.6	176



Zhejiang Sany Equipment Co.,LTD

SANY Crawler Crane Industrial Park, No. 2188 Daishan Road, Wuxing District, Huzhou City,
Zhejiang Province, P. R. China Zip 313028
Consulting sanycrane@sanygroup.com (Crane BU) / crd@sany.com.cn (IHQ)
After-sales Service 0086-400 6098 318

Reminder:

Any change in the technical parameters and configuration due to product modification or upgrade may occur without prior notice.
The machine in the picture may include additional equipment. This brochure is for reference only, and goods in kind shall prevail.
Copyright at SANY. No part of this brochure may be copied or used for any purpose without written approval from SANY.

© Edited in June 2023

